

Order code: EL1990

Basic information

Brand: Polysan

Series: EASY

Size

Width: 900 mm

Height: 1900 mm

Properties

Profile colour: Chrome - polished aluminum

Shape: Alcove door

Type of opening: Folding door

Opening direction: Versatile

Opening width: 550 mm

Glass colour: TRANSPARENT glass

Glass thickness: 6 mm

Installation width from: 870 mm

Installation width up to: 910 mm

Properties: Framed design

Weight / Piece: 28.0 kg

Packaging: 1 Piece

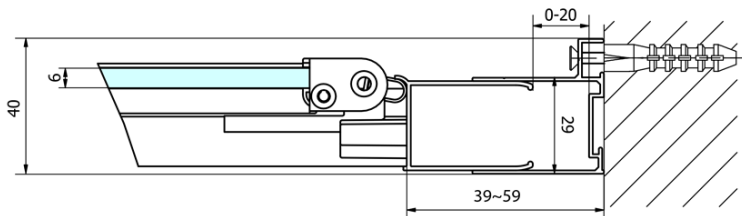
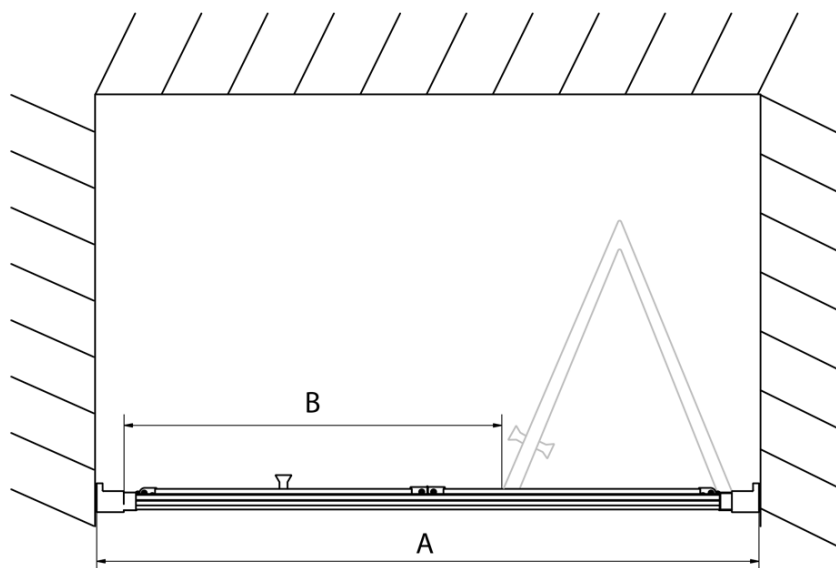
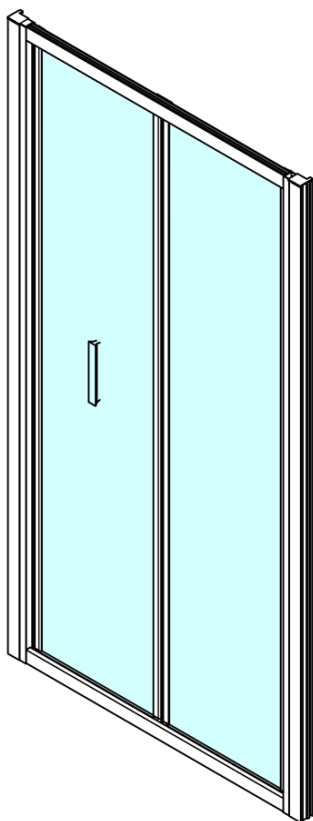
Warranty: 2 years



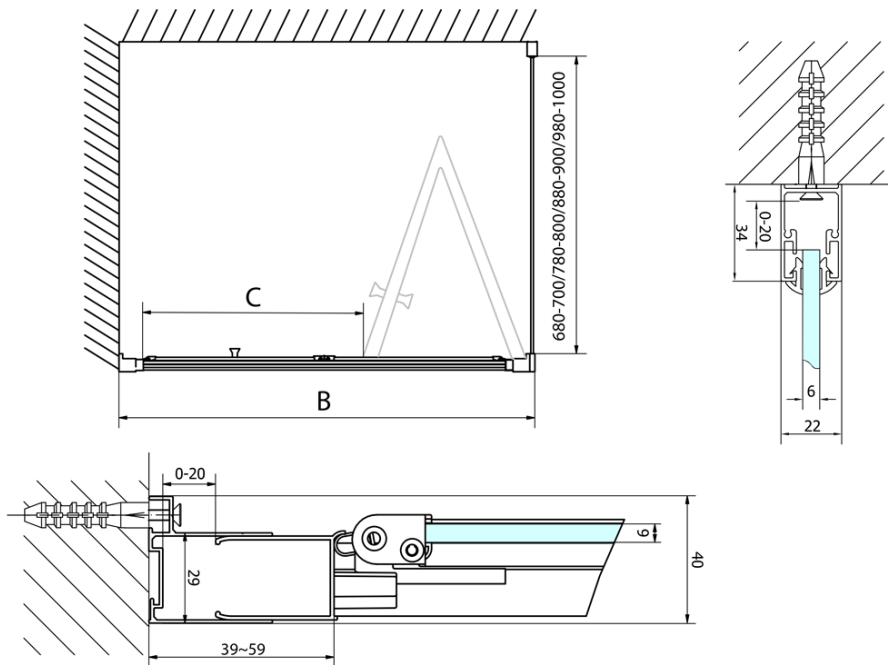
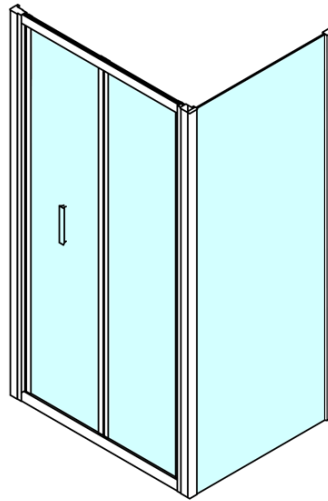
Spare parts

EASY handle, pair (Order code: NDEL11)

Technical sheet



Type	EL1970	EL1980	EL1990	EL1910
A	670~710	770~810	870~910	970~1010
B	390	480	550	625



Type	EL1970	EL1980	EL1990	EL1910
B	686~726	786~826	886~926	986~1026
C	390	480	550	625