

# CURE BLACK Shower Enclosure 350 mm, clear glass



**Order code:** CB350

**Size**

Height: 2000 mm

Depth: 350 mm

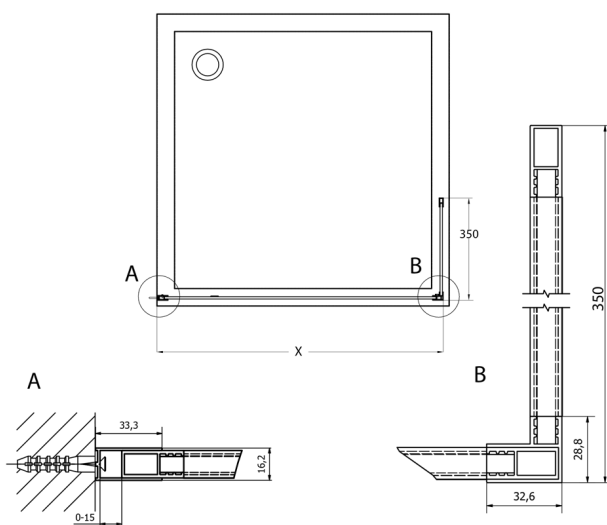
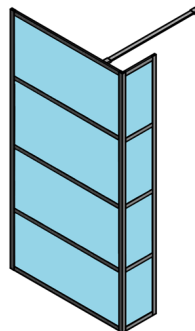
**Properties**

Warranty: 2 years



## Technical sheet

TYP	X
CB70+CB350	686-701
CB80+CB350	786-801
CB90+CB350	886-901
CB100+CB350	986-1001
CB110+CB350	1086-1101



# CURE BLACK Shower Enclosure 350 mm, clear glass



TYP	X
CB120+CB350	1186-1201
CB140+CB350	1386-1401

