

# EVIA L HYDRO-AIR hydromassage Bath tub, 170x100x47cm, white



Order code: 21611HA

## Basic information

Brand: Polysan  
Series: WHIRLPOOL

## Size

Length: 1700 mm  
Width: 1000 mm  
Height: 470 mm  
Volume: 255 l

## Properties

Colour: White  
Material: Acrylate  
Shape: Asymmetric  
Installation: Built-in  
Waste diameter: 52 mm  
Properties: HYDRO AIR massage  
Weight / Piece: 43.0 kg  
Packaging: 1 Piece  
Warranty: 2 years



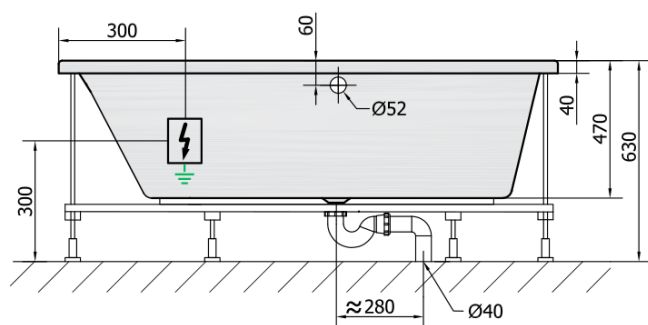
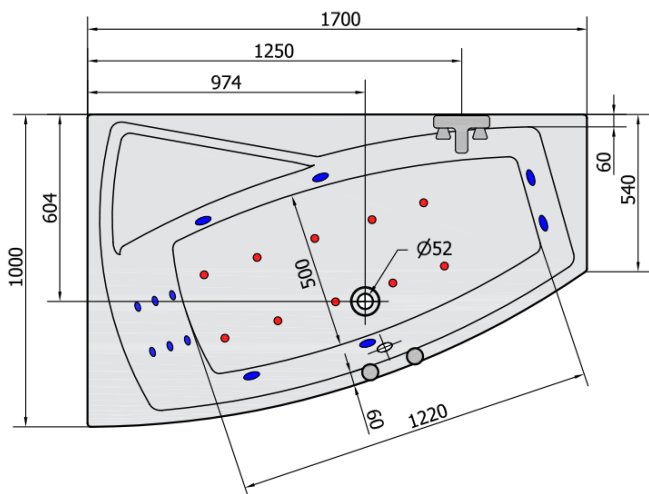
## We recommend buy

1 Piece RGB spot chromotherapy, 8 LEDs (Order code: 91407)  
1 Piece Sound insulation bath tape, 3m (Order code: 93400)

# EVIA L HYDRO-AIR hydromassage Bath tub, 170x100x47cm, white



## Technical sheet



VOLUME 255L

**H** HYDRO  
12 whirlpool jets  
12 vodních trysek

**A** AIR  
10 air jets  
10 vzduchových trysek

Electric cable 3x2,5mm<sup>2</sup>  
Length 2m from the wall



Elektrický kabel 3x2,5mm<sup>2</sup>  
Délka kabelu ze zdi 2m

Electrical Characteristic:  
Tension: 220-230V/50hz  
Max. power consumption: 1200W  
Electric protection: residual-current device 30mA

Elektrické vlastnosti:  
Napětí: 220-230V/50hz  
Max. spotřeba: 1200W  
Elektrické jištění: proudový chránič 30mA