

EVIA L HYDRO-AIR hydromassage Bath tub, 160x100x47cm, white



Order code: 11611HA

Basic information

Brand: Polysan
Series: WHIRLPOOL

Size

Length: 1600 mm
Width: 1000 mm
Height: 470 mm
Volume: 230 l

Properties

Colour: White
Material: Acrylate
Shape: Asymmetric
Installation: Built-in
Waste diameter: 52 mm
Properties: HYDRO AIR massage
Weight / Piece: 42.0 kg
Packaging: 1 Piece
Warranty: 2 years



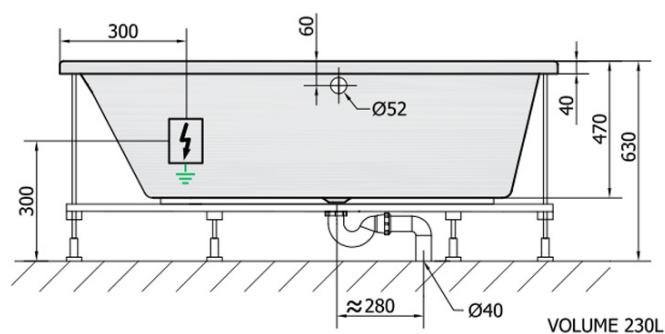
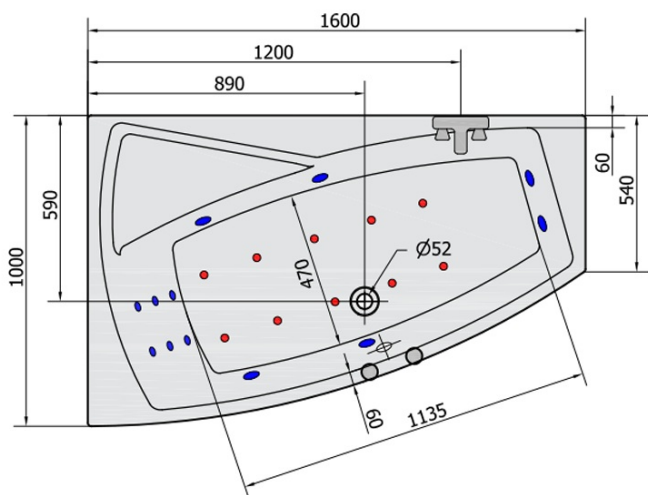
We recommend buy

1 Piece RGB spot chromotherapy, 8 LEDs (Order code: 91407)
1 Piece Sound insulation bath tape, 3m (Order code: 93400)

EVIA L HYDRO-AIR hydromassage Bath tub, 160x100x47cm, white




Technical sheet



- H** HYDRO
12 whirlpool jets
12 vodních trysek
- A** AIR
10 air jets
10 vzduchových trysek

Electric cable 3x2,5mm²
Lenght 2m from the wall

 Elektrický kabel 3x2,5mm²
Délka kabelu ze zdi 2m

Electrical Characteristic:
Tension: 220-230V/50hz
Max. power consumption: 1200W
Electric protection: residual-current device 30mA

Elektrické vlastnosti:
Napětí: 220-230V/50hz
Max. spotřeba: 1200W
Elektrické jistění: proudový chránič 30mA