

# DUPLA HYDRO-AIR massage Bath tub, 180x120x54cm, white



Order code: 13611HA

## Basic information

Brand: Polysan  
Series: WHIRLPOOL

## Size

Length: 1800 mm  
Width: 1200 mm  
Height: 540 mm  
Volume: 580 l

## Properties

Colour: White  
Material: Acrylate  
Shape: Rectangular  
Installation: Built-in  
Waste diameter: 52 mm  
Properties: HYDRO AIR massage  
Weight / Piece: 57.0 kg  
Packaging: 1 Piece  
Warranty: 2 years



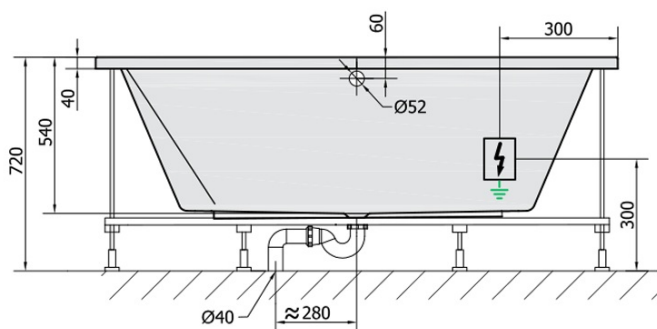
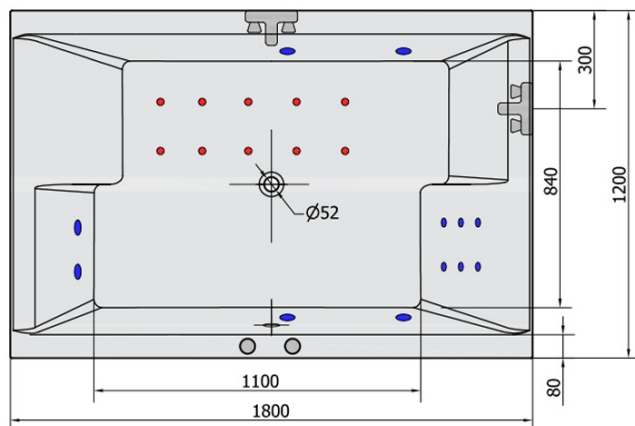
## We recommend buy

1 Piece RGB spot chromotherapy, 8 LEDs (Order code: 91407)  
1 Piece Sound insulation bath tape, 3m (Order code: 93400)

DUPLA HYDRO-AIR massage Bath tub, 180x120x54cm,  
white




Technical sheet



VOLUME 580L

- H** HYDRO  
12 whirlpool jets  
12 vodních trysek
- A** AIR  
10 air jets  
10 vzduchových trysek

Electric cable 3x2,5mm<sup>2</sup>  
Lenght 2m from the wall

 Elektrický kabel 3x2,5mm<sup>2</sup>  
Délka kabelu ze zdi 2m

Electrical Characteristic:  
Tension: 220-230V/50hz  
Max. power consumption: 1200W  
Electric protection: residual-current device 30mA

Elektrické vlastnosti:  
Napětí: 220-230V/50hz  
Max. spotřeba: 1200W  
Elektrické jistění: proudový chránič 30mA