

# FORTIS 3-Piece Alcove Shower Door 1300 mm, clear glass/left



Order code: FL1513L

## Basic information

Brand: Polysan  
Series: FORTIS

## Size

Width: 1300 mm  
Height: 2000 mm

## Properties

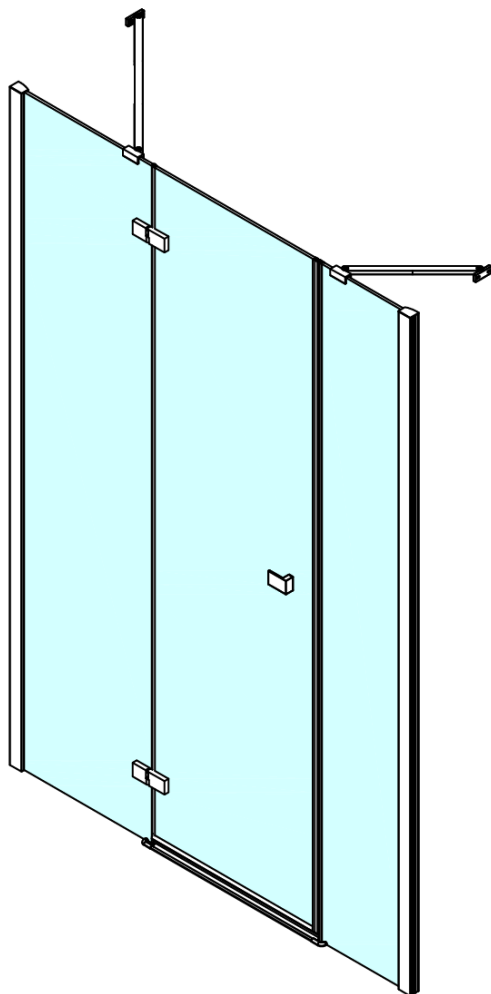
Profile colour: Chrome - polished aluminum  
Shape: Alcove door  
Type of opening: Single pivot door  
Opening direction: Left  
Opening width: 565 mm  
Glass colour: TRANSPARENT glass  
Glass finish: Antidrop  
Glass thickness: 8 mm  
Installation width from: 1285 mm  
Installation width up to: 1317 mm  
Properties: Frameless design  
Weight / Piece: 53.0 kg  
Packaging: 1 Piece  
Warranty: 2 years



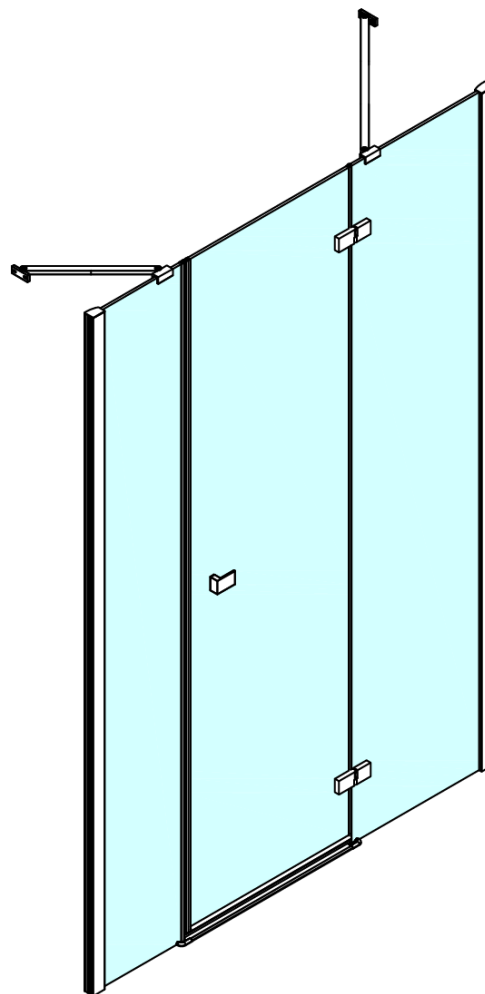
## Spare parts

Acrylic seal glass/floor (shower tray), length 1000mm for 8mm glass (Order code: 309D-08)  
Acrylic gasket between glass 8mm, flag (Order code: NDFL0503)

Technical sheet



FL15xxL

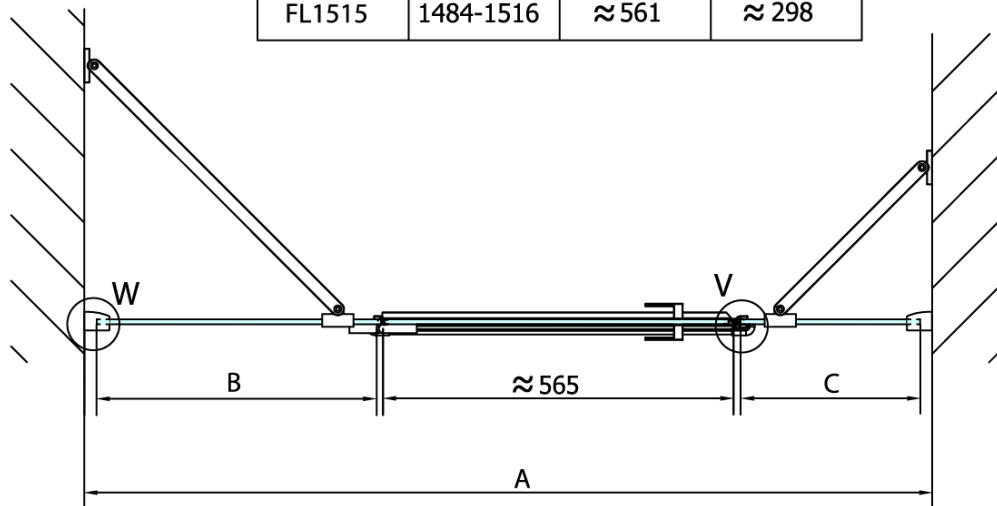


FL15xxR

FORTIS 3-Piece Alcove Shower Door 1300 mm, clear glass/left



MODEL	A	B	C
FL1513	1284-1316	≈361	≈298
FL1514	1384-1416	≈461	≈298
FL1515	1484-1516	≈561	≈298



W

V

