

## TANDEM L Asymmetric Bath 170x130x50cm, White



Order code: 96611

### Basic information

Brand: Polysan

### Size

Length: 1700 mm

Width: 1300 mm

Height: 500 mm

Volume: 395 l

### Properties

Colour: White

Material: Acrylate

Shape: Asymmetric

Installation: Built-in

Waste diameter: 52 mm

Properties: Edge height 40 mm (Standard)

Package does not contain: Trap, Pop Up Bath Waste

Weight / Piece: 39.81 kg

Packaging: 1 Piece

Warranty: 10 years



## We recommend buy

1 Piece Bathtub set, bovden mechanism, length 800mm, plug 72mm, chrome (Order code: 71852)

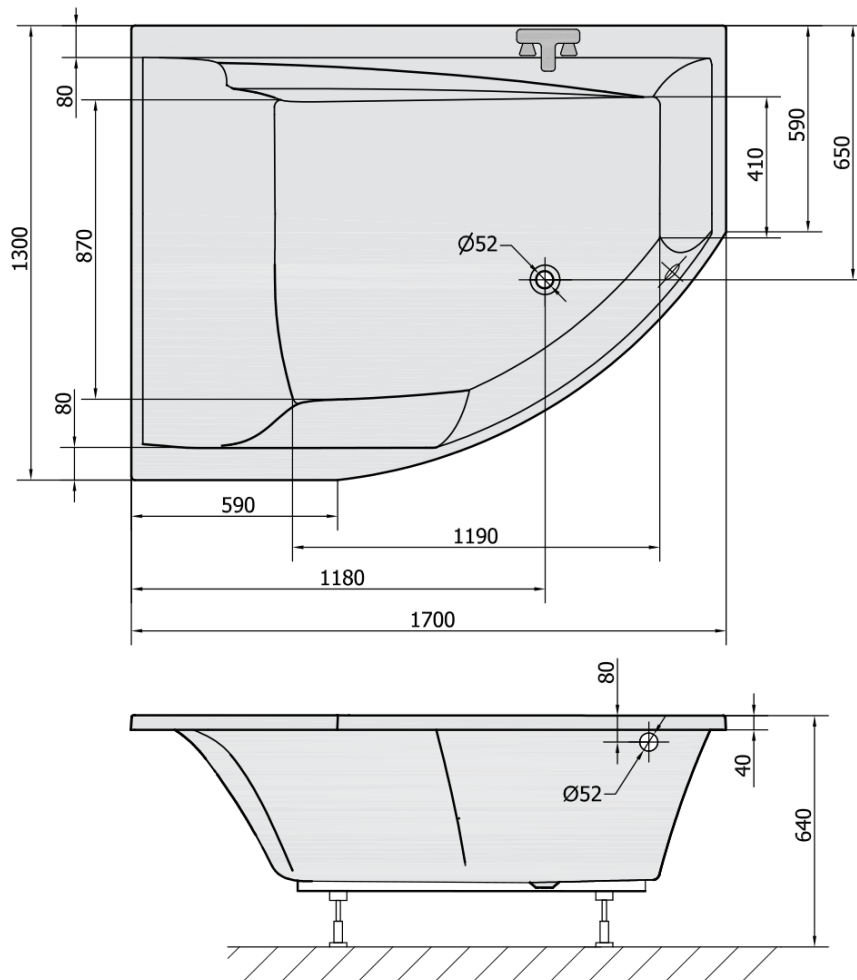
1 Piece Sound insulation bath tape, 3m (Order code: 93400)

1 Piece Bath Support Legs for Acrylic Bath Polysan, 51,5-89cm, Pair (Order code: PO60-100)

1 Piece Siphon 6/4", DN40 (Order code: 72693)

1 Piece TANDEM L, R Corner Panel, White (Order code: 96813)

Technical sheet



VOLUME 395L