

# MANUS ONDA stainless steel floor drain with grate, wall-mounted, L-1050, DN50



Order code: GMO26

## Basic information

Brand: Gelco  
Series: MANUS

## Size

Length: 1050 mm  
Width: 112 mm  
Height: 55 mm

## Properties

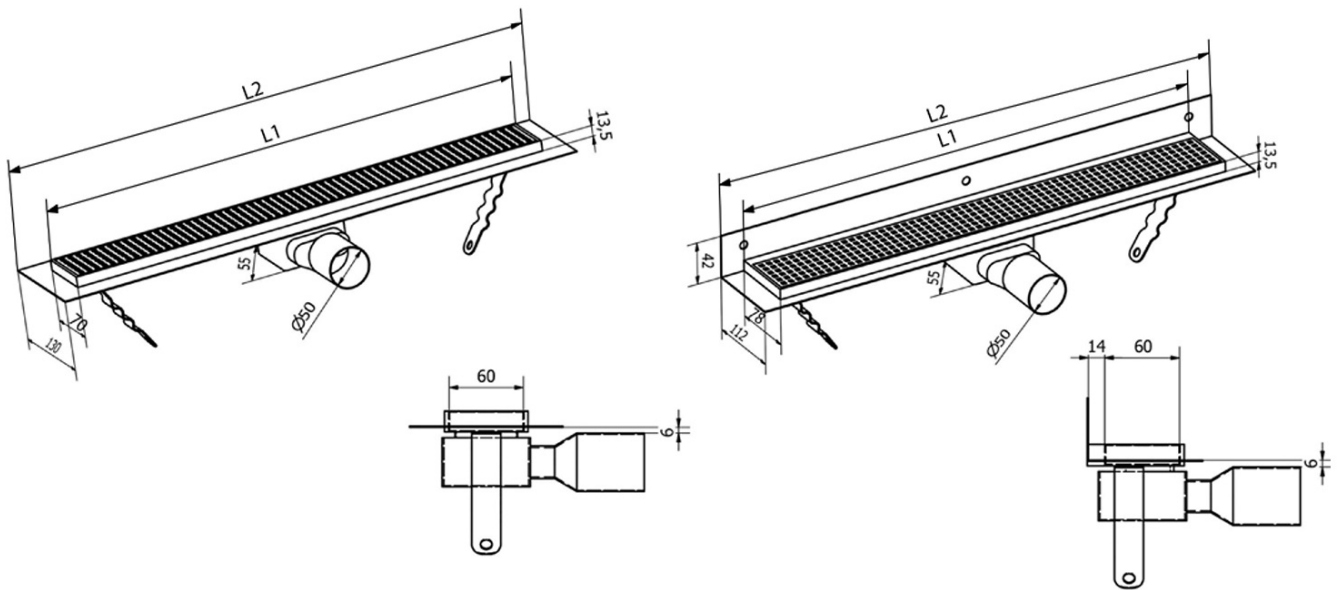
Colour: Stainless steel  
Material: Stainless steel  
Installation: Against the wall - grate  
Waste diameter: 50 mm  
Shower channel length from: 1050 mm  
Shower channel length to: 1050 mm  
Weight / Piece: 2.995 kg  
Packaging: 1 Piece  
Warranty: 2 years



## Spare parts

MANUS rubber seal O-ring (Order code: NDGM1)  
MANUS - waste trap for Manus (Order code: NDGM2)  
MANUS - rubber stopper (Order code: NDGM3)

Technical sheet



Instalační rozměry							
L1 (mm)	590	690	790	890	990	1 090	1 190
L2 (mm)	650	750	850	950	1 050	1 150	1 250