

MANUS ONDA stainless steel floor drain with grate, wall-mounted, L-950, DN50

Order code: GMO25

Size

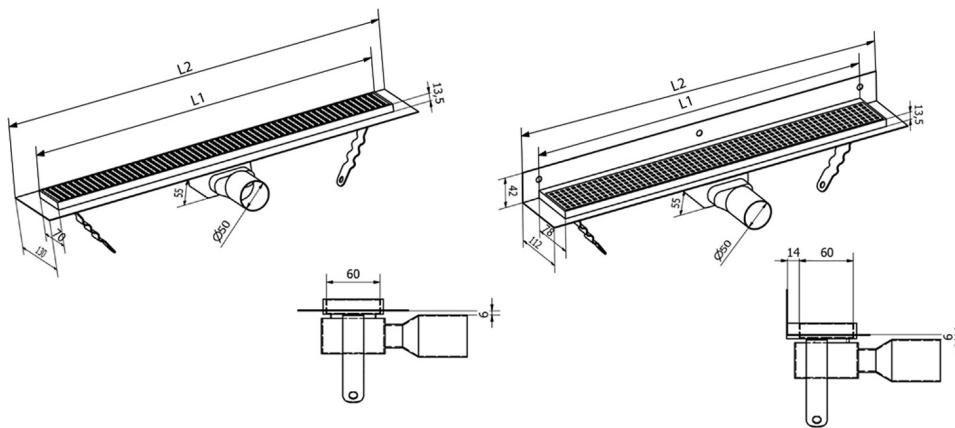
Length: 950 mm
Width: 112 mm
Height: 55 mm

Properties

Colour: Stainless steel
Material: Stainless steel
Warranty: 2 years



Technical sheet



Instalační rozměry							
L1 (mm)	590	690	790	890	990	1 090	1 190
L2 (mm)	650	750	850	950	1 050	1 150	1 250