

ZOOM BLACK Side Panel 900mm, clear glass



Order code: ZL3290B

Basic information

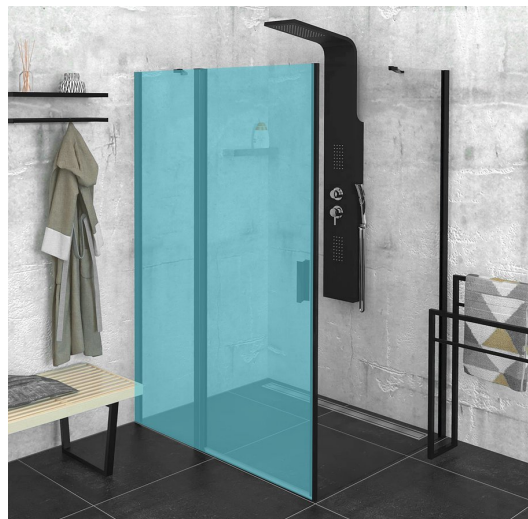
Brand: Polysan
Series: ZOOM BLACK

Size

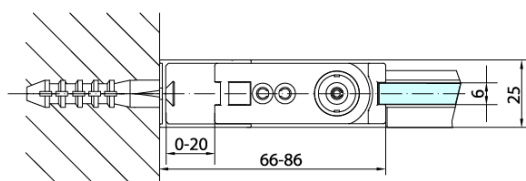
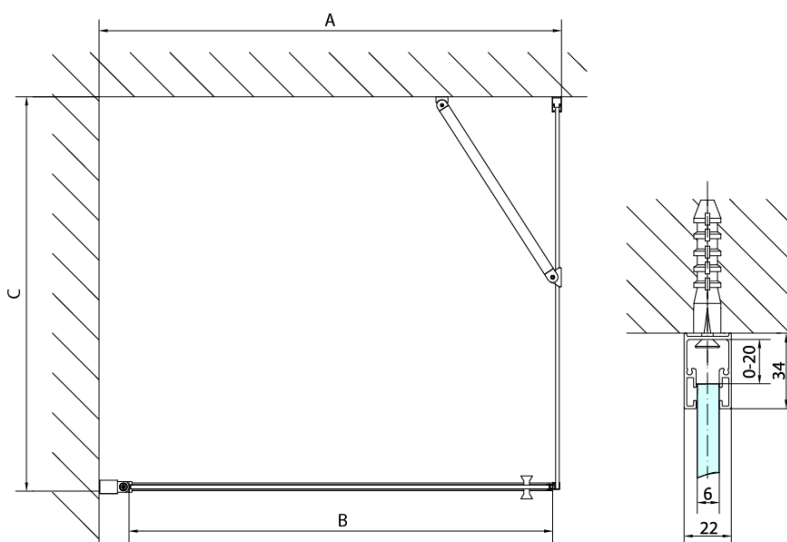
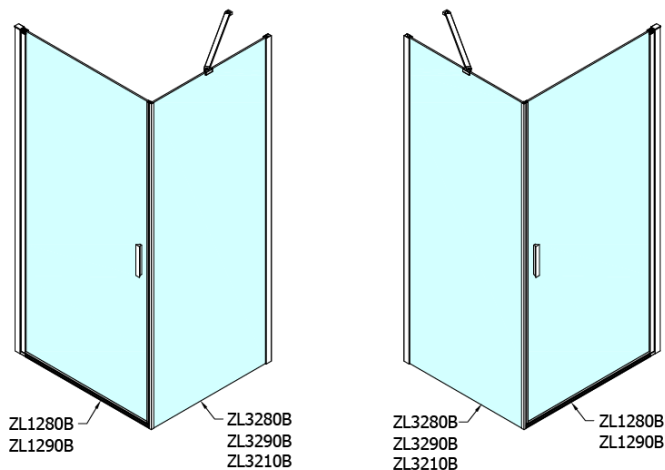
Height: 2000 mm
Depth: 900 mm

Properties

Profile colour: Black matt
Shape: Fixed panel for shower door
Glass colour: TRANSPARENT glass
Glass finish: Antidrop
Glass thickness: 6 mm
Weight / Piece: 29.0 kg
Packaging: 1 Piece
Warranty: 2 years

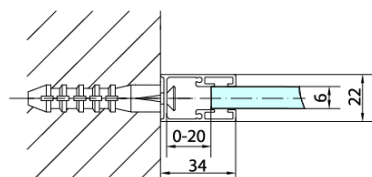
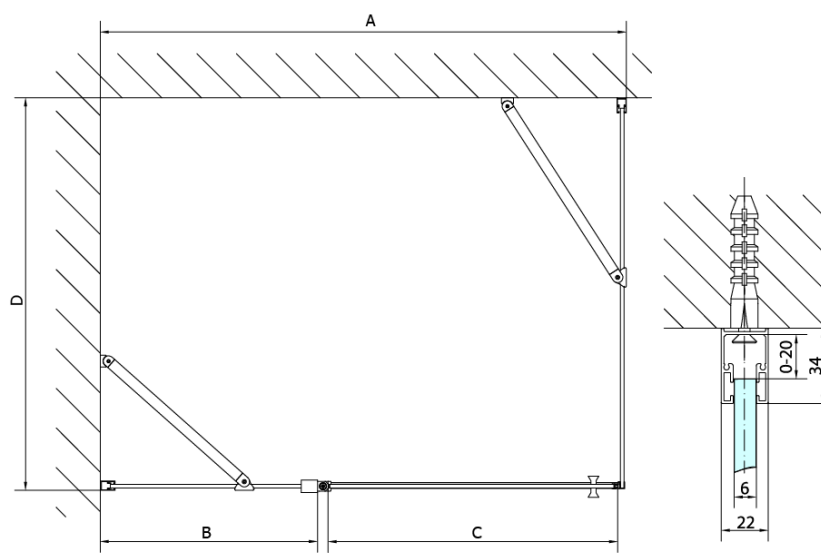
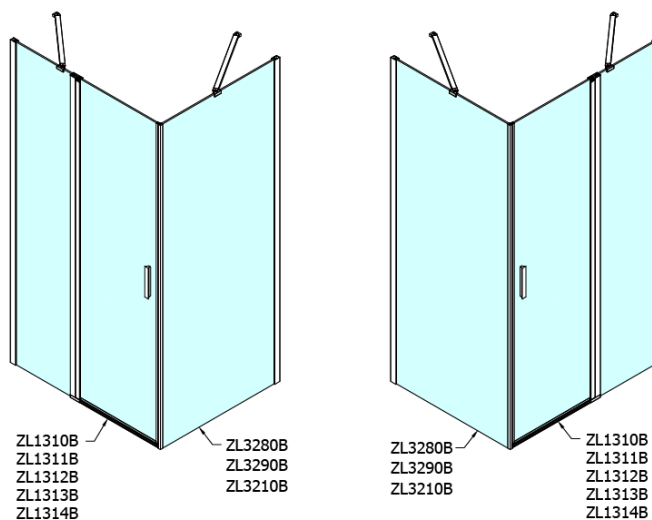


Technical sheet



| ARTICLE | C |
|---------|---------|
| ZL3280B | 770-790 |
| ZL3290B | 870-890 |
| ZL3210B | 970-990 |

| ARTICLE | A | B |
|---------|---------|------|
| ZL1280B | 770-790 | ~715 |
| ZL1290B | 870-890 | ~815 |



| ARTICLE | A | B | C |
|---------|-----------|-----|-----|
| ZL1310B | 970-990 | 430 | 520 |
| ZL1311B | 1070-1090 | 480 | 570 |
| ZL1312B | 1170-1190 | 530 | 620 |
| ZL1313B | 1270-1290 | 630 | 620 |
| ZL1314B | 1370-1390 | 730 | 620 |

| ARTICLE | D |
|---------|---------|
| ZL3280B | 770-790 |
| ZL3290B | 870-890 |
| ZL3210B | 970-990 |