

**Order code:** ZL3280B

**Basic information**

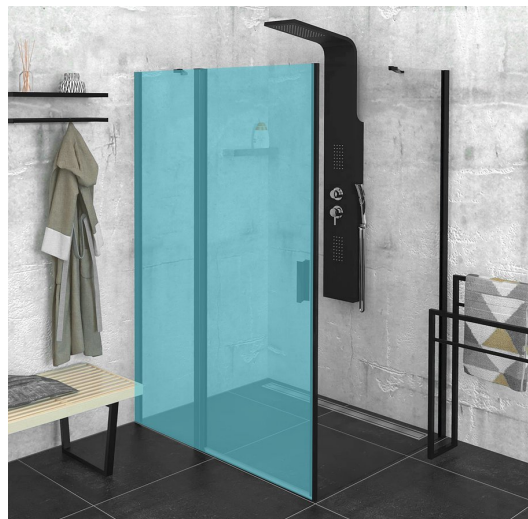
**Brand:** Polysan  
**Series:** ZOOM BLACK

**Size**

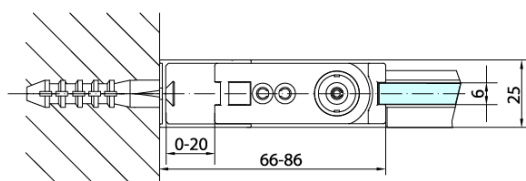
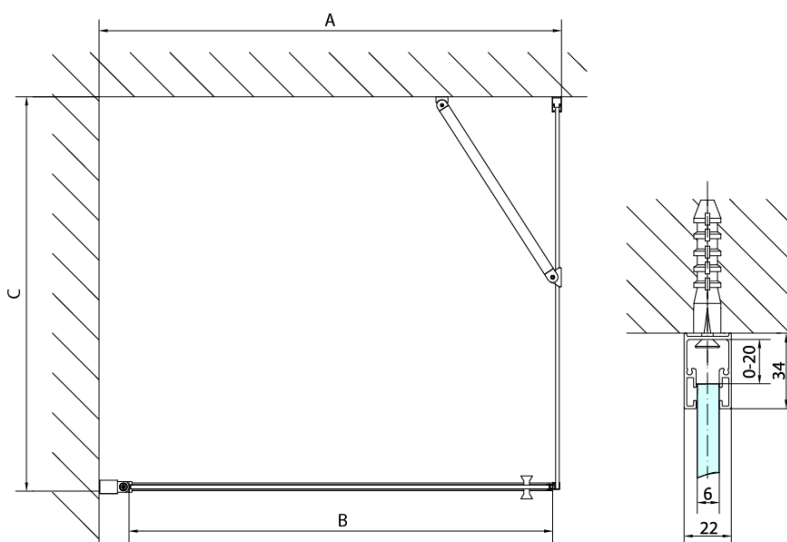
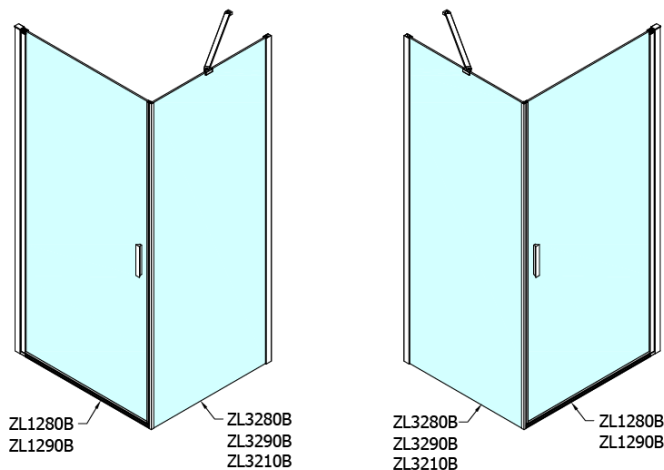
**Height:** 2000 mm  
**Depth:** 800 mm

**Properties**

**Profile colour:** Black matt  
**Shape:** Fixed panel for shower door  
**Glass colour:** TRANSPARENT glass  
**Glass finish:** Antidrop  
**Glass thickness:** 6 mm  
**Weight / Piece:** 26.0 kg  
**Packaging:** 1 Piece  
**Warranty:** 2 years

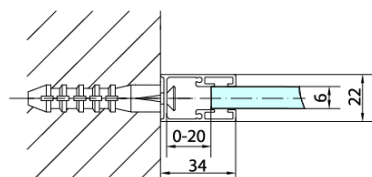
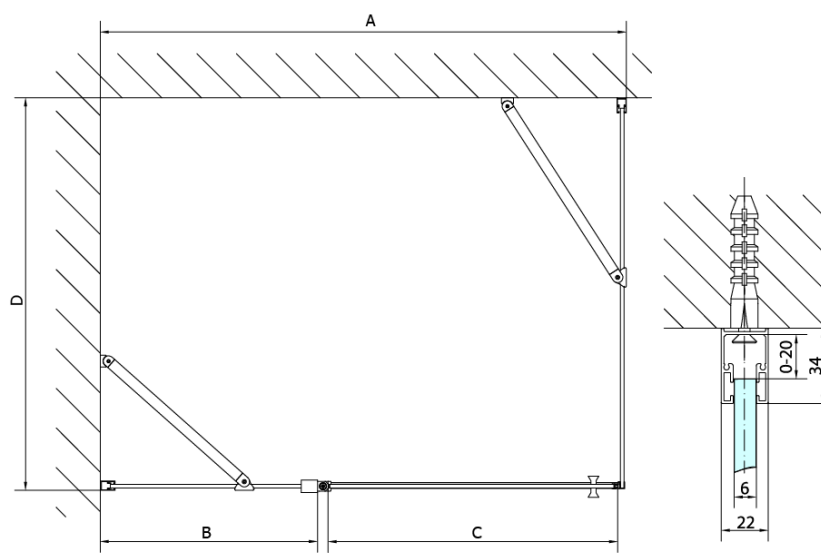
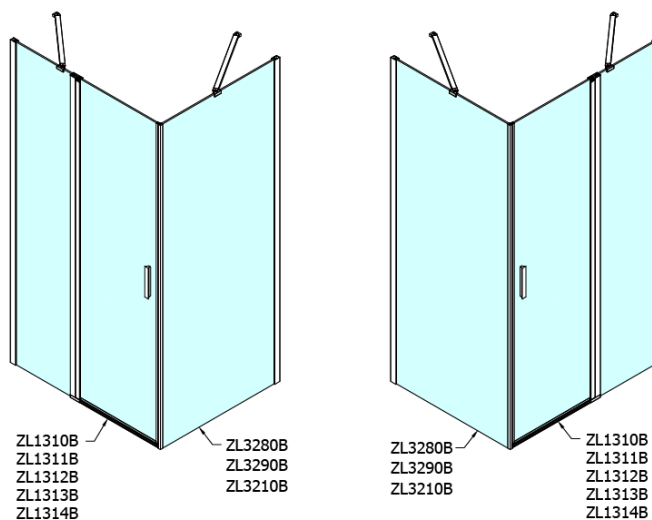


Technical sheet



ARTICLE	C
ZL3280B	770-790
ZL3290B	870-890
ZL3210B	970-990

ARTICLE	A	B
ZL1280B	770-790	~715
ZL1290B	870-890	~815



ARTICLE	A	B	C
ZL1310B	970-990	430	520
ZL1311B	1070-1090	480	570
ZL1312B	1170-1190	530	620
ZL1313B	1270-1290	630	620
ZL1314B	1370-1390	730	620

ARTICLE	D
ZL3280B	770-790
ZL3290B	870-890
ZL3210B	970-990