

CARUSO radiator heating element 200 W, brushed stainless steel



Order code: NR920

Basic information

Brand: Sapho
Series: CARUSO

Properties

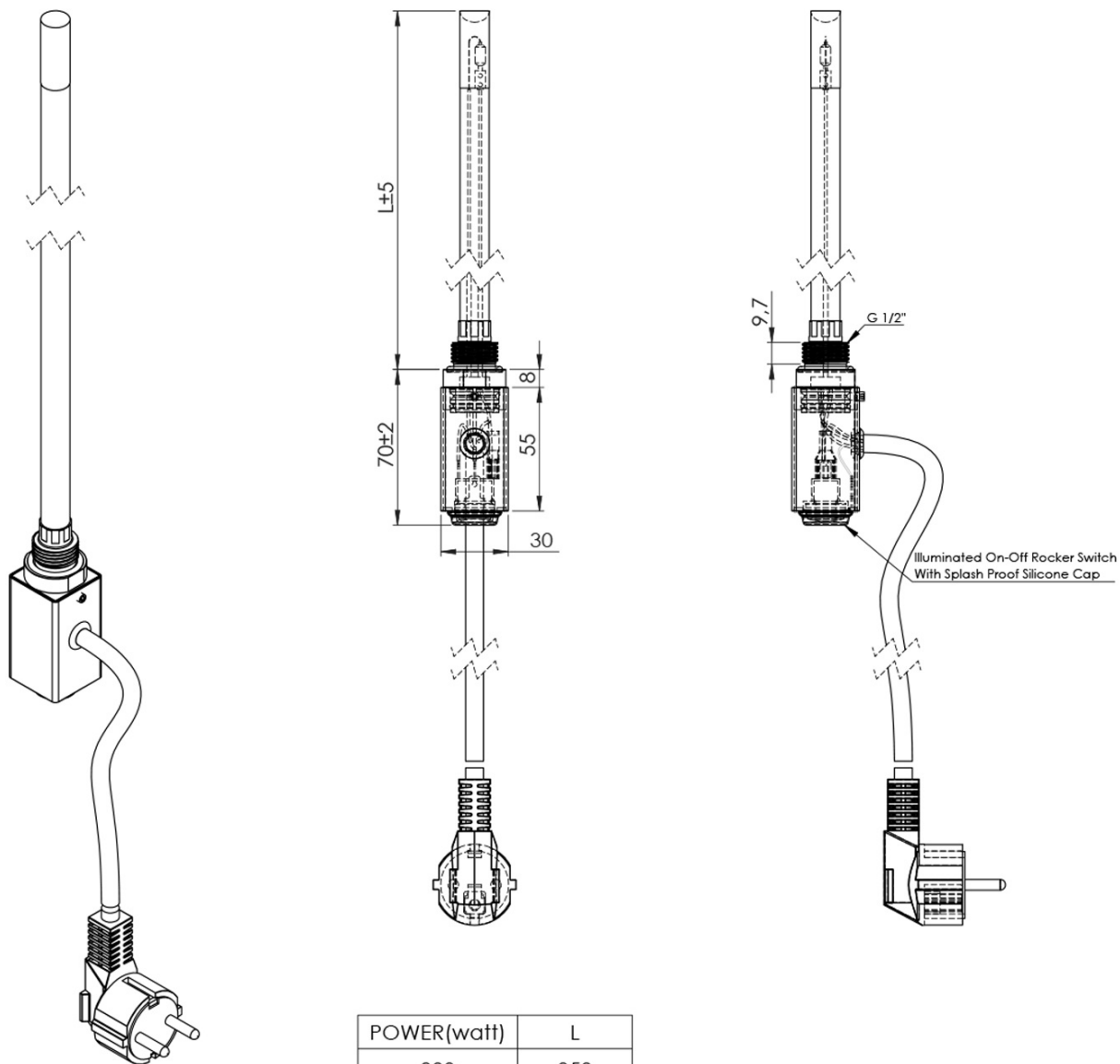
Colour: Brushed stainless steel
Output: 200 W
Electrical protection: IPx4
Weight / Piece: 0.62 kg
Packaging: 1 Piece
Warranty: 2 years



CARUSO radiator heating element 200 W, brushed stainless steel



Technical sheet



POWER(watt)	L
300	350
200	350