

Order code: EL1715

Basic information

Brand: Polysan

Series: EASY

Size

Width: 1020 mm

Height: 1900 mm

Properties

Profile colour: Chrome - polished aluminum

Shape: Alcove door

Type of opening: Single pivot door

Opening direction: Versatile

Opening width: 560 mm

Glass colour: TRANSPARENT glass

Glass thickness: 6 mm

Installation width from: 880 mm

Installation width up to: 1020 mm

Properties: Framed design

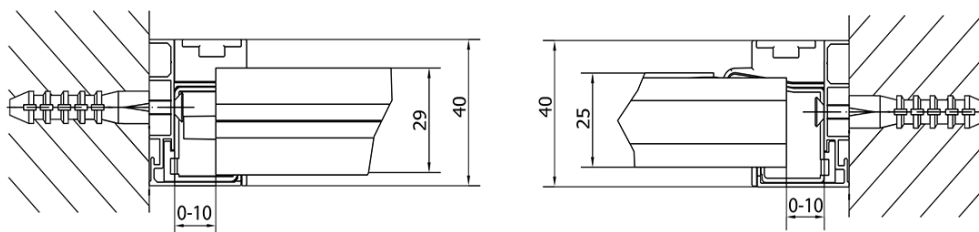
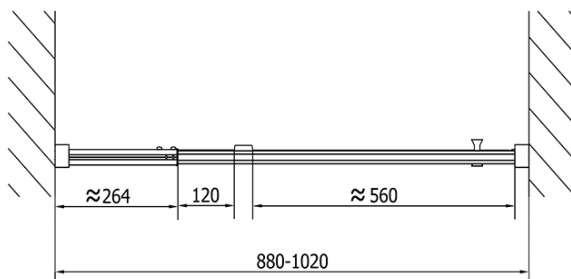
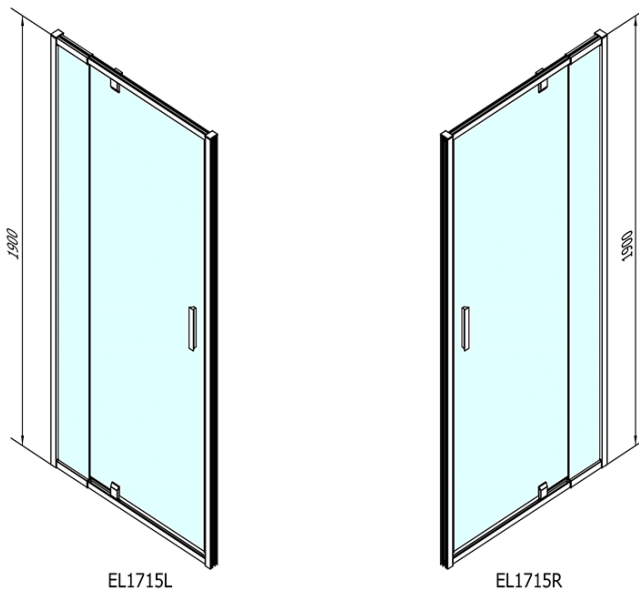
Weight / Piece: 31.0 kg

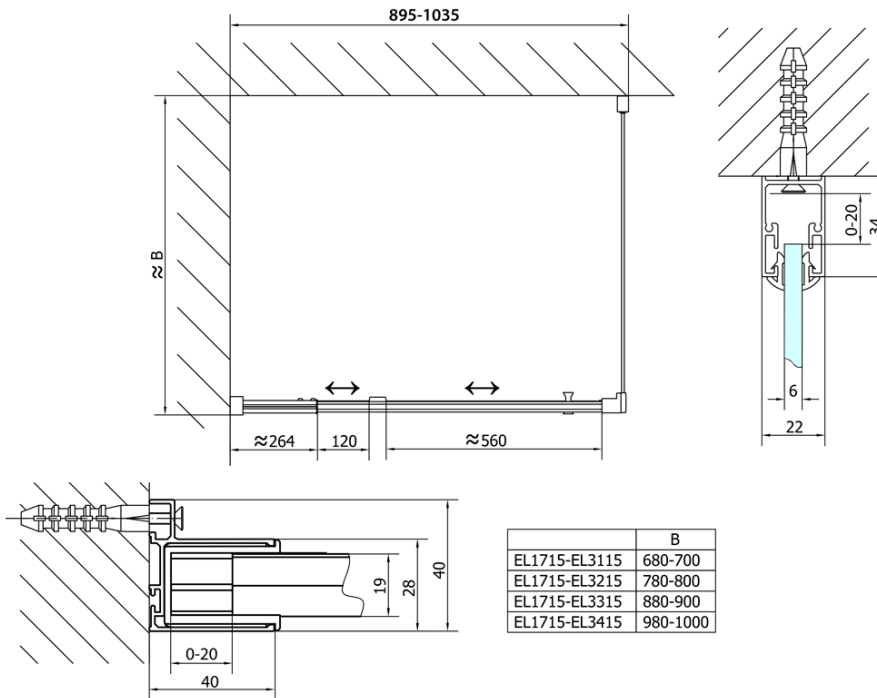
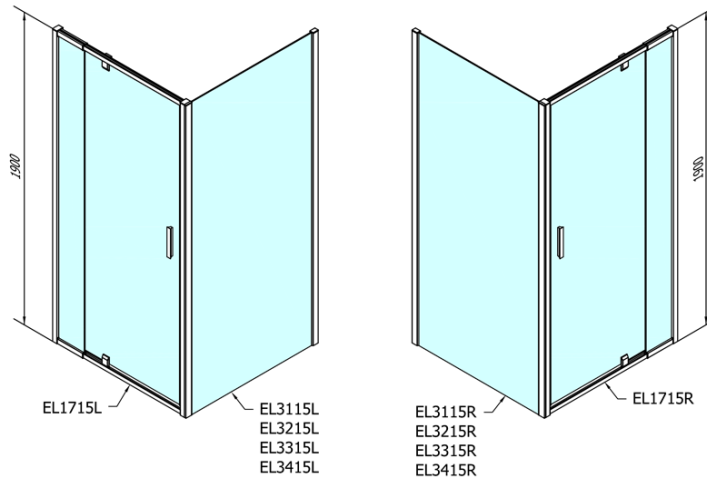
Packaging: 1 Piece

Warranty: 2 years



Technical sheet





	B
EL1715-EL3115	680-700
EL1715-EL3215	780-800
EL1715-EL3315	880-900
EL1715-EL3415	980-1000