

Order code: EL1615

Basic information

Brand: Polysan

Series: EASY

Size

Width: 900 mm

Height: 1900 mm

Properties

Profile colour: Chrome - polished aluminum

Shape: Alcove door

Type of opening: Single pivot door

Opening direction: Versatile

Opening width: 500 mm

Glass colour: TRANSPARENT glass

Glass thickness: 6 mm

Installation width from: 760 mm

Installation width up to: 900 mm

Properties: Framed design

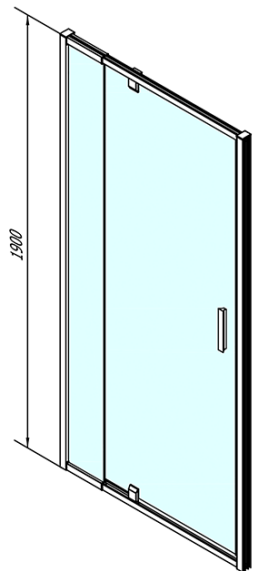
Weight / Piece: 28.0 kg

Packaging: 1 Piece

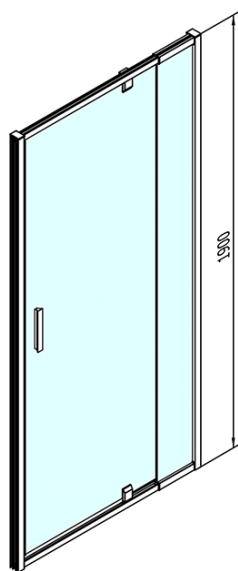
Warranty: 2 years



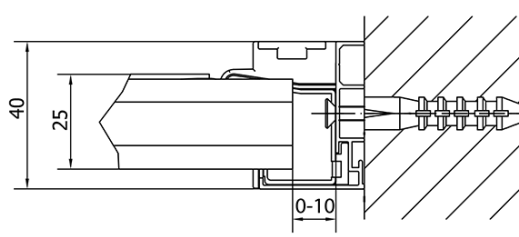
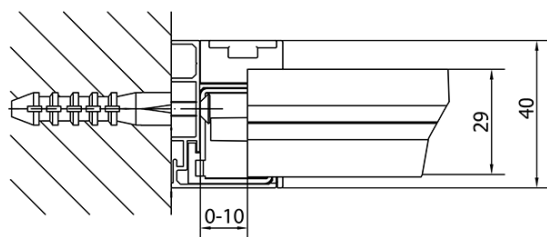
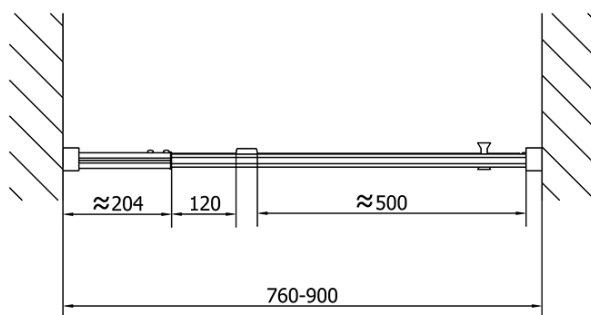
Technical sheet

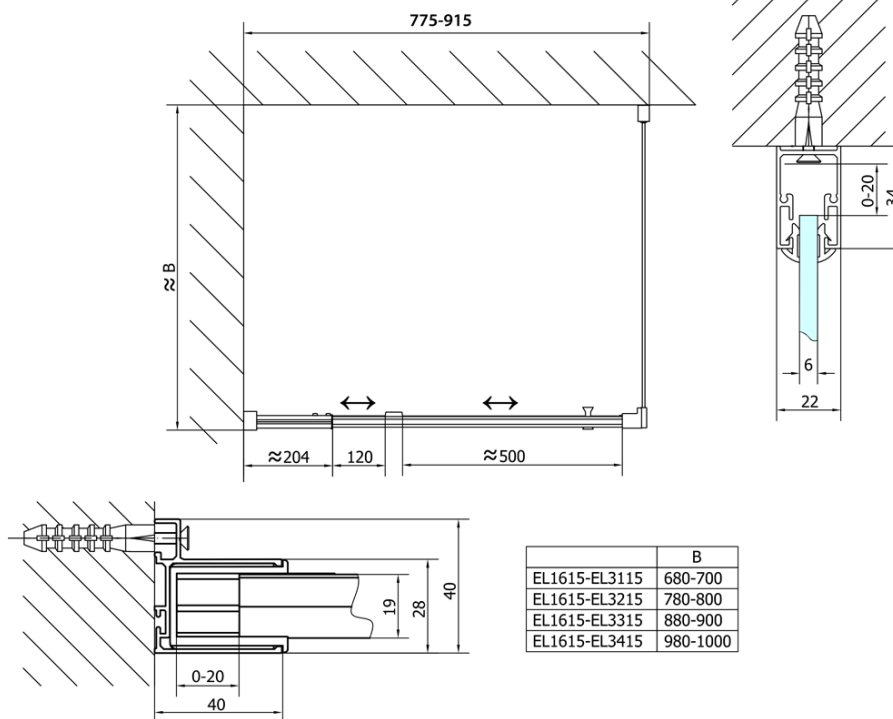
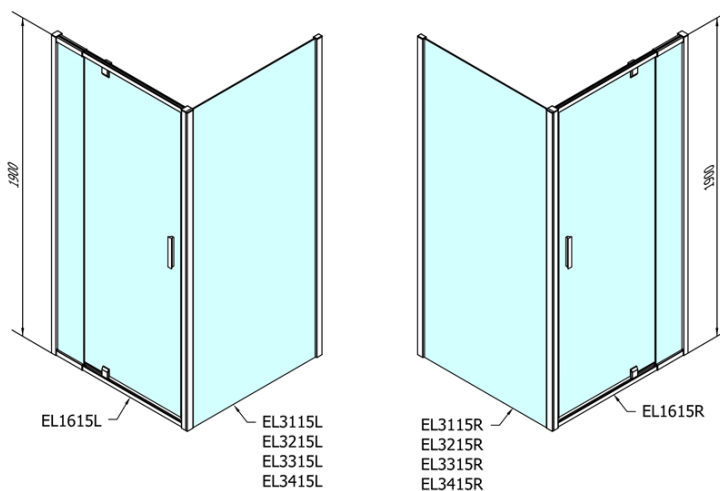


EL1615L



EL1615R





	B
EL1615-EL3115	680-700
EL1615-EL3215	780-800
EL1615-EL3315	880-900
EL1615-EL3415	980-1000