

**Order code:** EL1615

## Basic information

**Brand:** Polysan

**Series:** EASY

## Size

**Width:** 900 mm

**Height:** 1900 mm

## Properties

**Profile colour:** Chrome - polished aluminum

**Shape:** Alcove door

**Type of opening:** Single pivot door

**Opening direction:** Versatile

**Opening width:** 500 mm

**Glass colour:** TRANSPARENT glass

**Glass thickness:** 6 mm

**Installation width from:** 760 mm

**Installation width up to:** 900 mm

**Properties:** Framed design

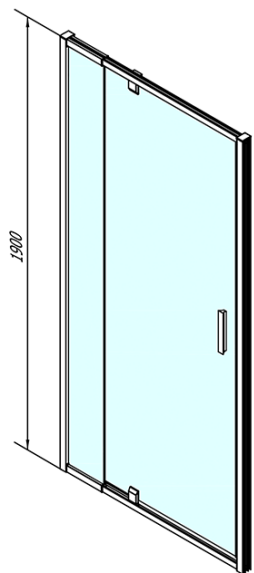
**Weight / Piece:** 28.0 kg

**Packaging:** 1 Piece

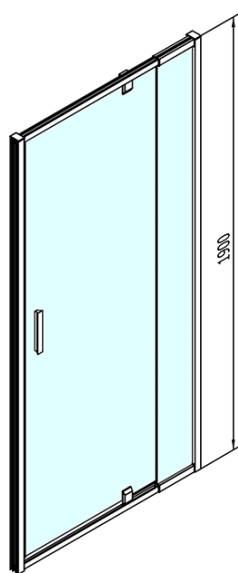
**Warranty:** 2 years



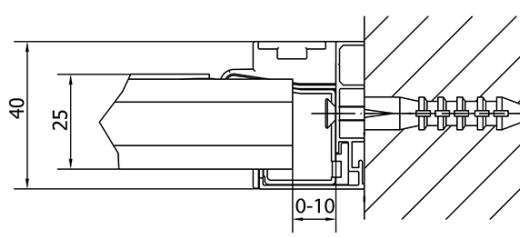
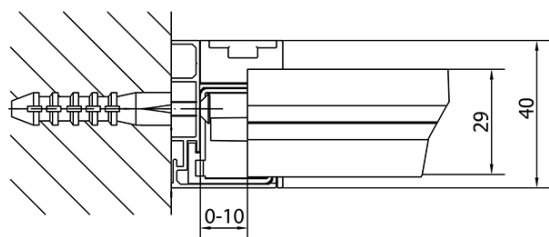
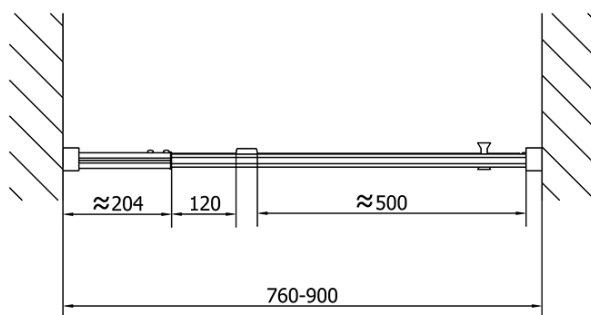
Technical sheet

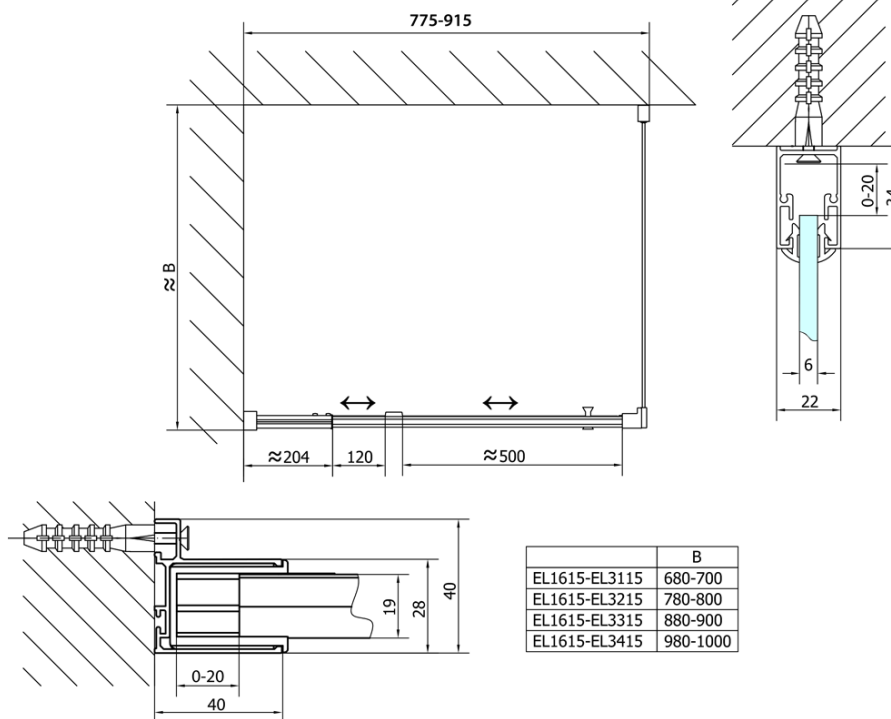
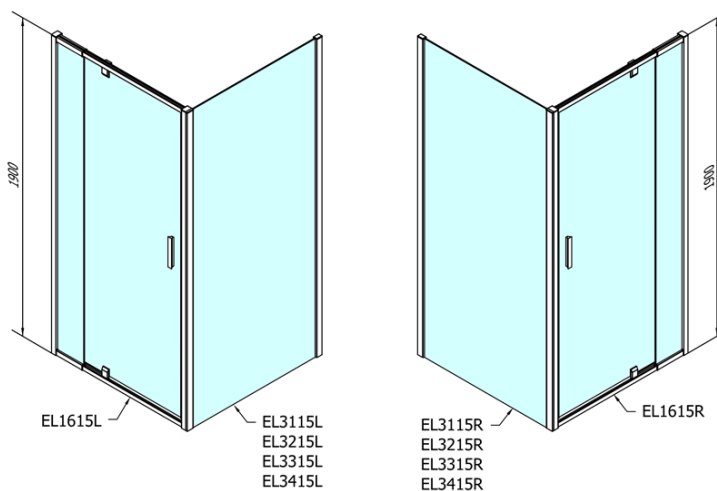


EL1615L



EL1615R





	B
EL1615-EL3115	680-700
EL1615-EL3215	780-800
EL1615-EL3315	880-900
EL1615-EL3415	980-1000