

# LUCIS LINE quadrant shower enclosure 1200x900mm, left/right



**Order code:** DL5015

## Basic information

**Brand:** Polysan  
**Series:** LUCIS LINE

## Size

**Width:** 1200 mm  
**Height:** 2000 mm  
**Depth:** 900 mm

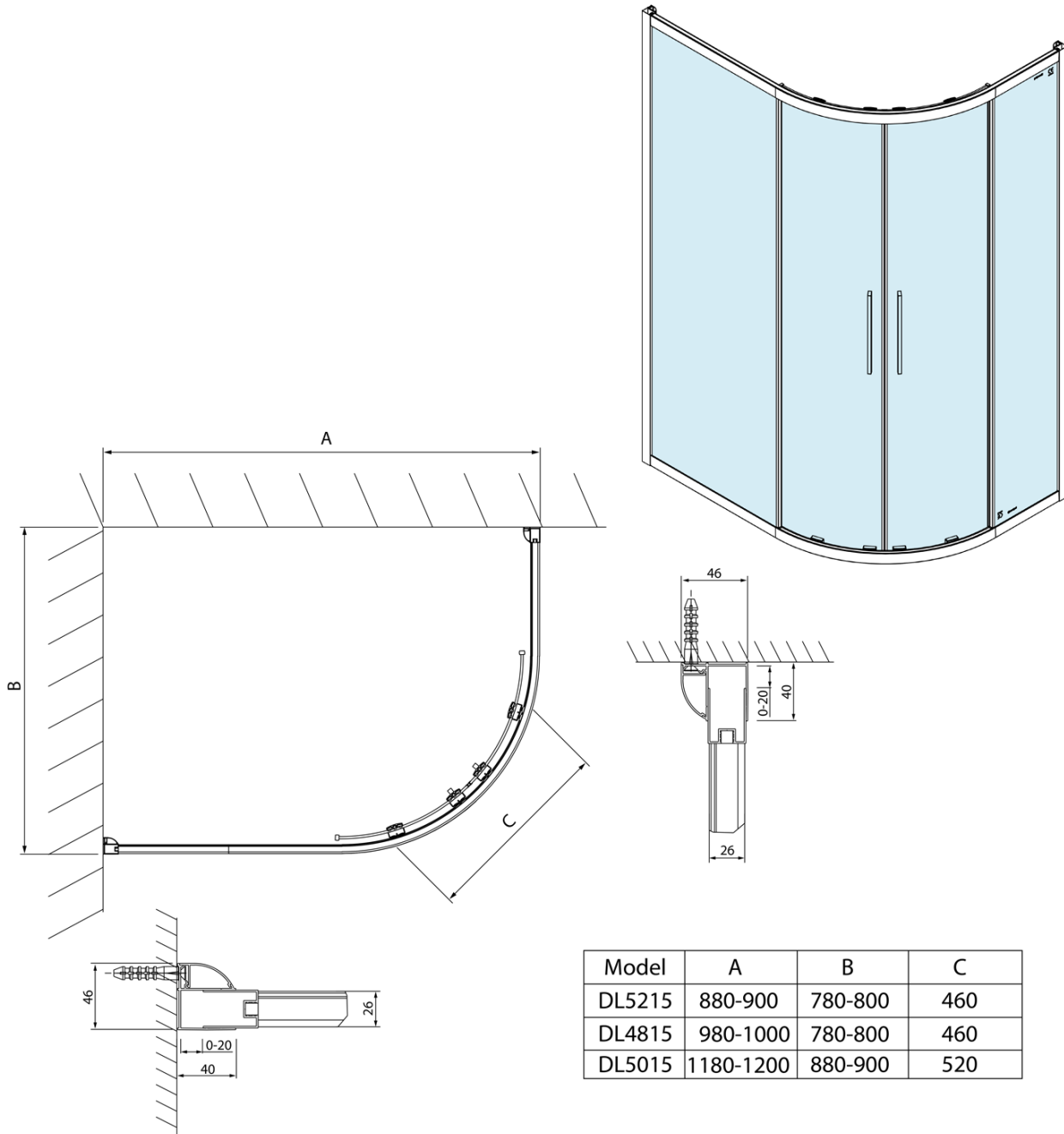
## Properties

**Profile colour:** Chrome - polished aluminum  
**Shape:** Quadrant with extended side panel  
**Type of opening:** Sliding door  
**Opening width:** 520 mm  
**Glass colour:** TRANSPARENT glass  
**Glass finish:** Antidrop  
**Glass thickness:** 6 mm  
**Radius:** R550  
**Properties:** Framed design  
**Weight / Piece:** 58.02 kg  
**Packaging:** 1 Piece  
**Warranty:** 2 years



LUCIS LINE quadrant shower enclosure  
1200x900mm, left/right

Technical sheet



Model	A	B	C
DL5215	880-900	780-800	460
DL4815	980-1000	780-800	460
DL5015	1180-1200	880-900	520