

## Wall-Hung Utility Sink 55x34cm, plastic, white



**Order code:** PI5055

### Basic information

**Brand:** Aqualine

### Size

**Width:** 550 mm

**Height:** 210 mm

**Depth:** 340 mm

### Properties

**Colour:** White

**Material:** Polypropylen

**Overflow:** Yes

**Package contains:** Overflow Kit, Trap

**Weight / Piece:** 3.33 kg

**Packaging:** 1 Piece

**Warranty:** 2 years



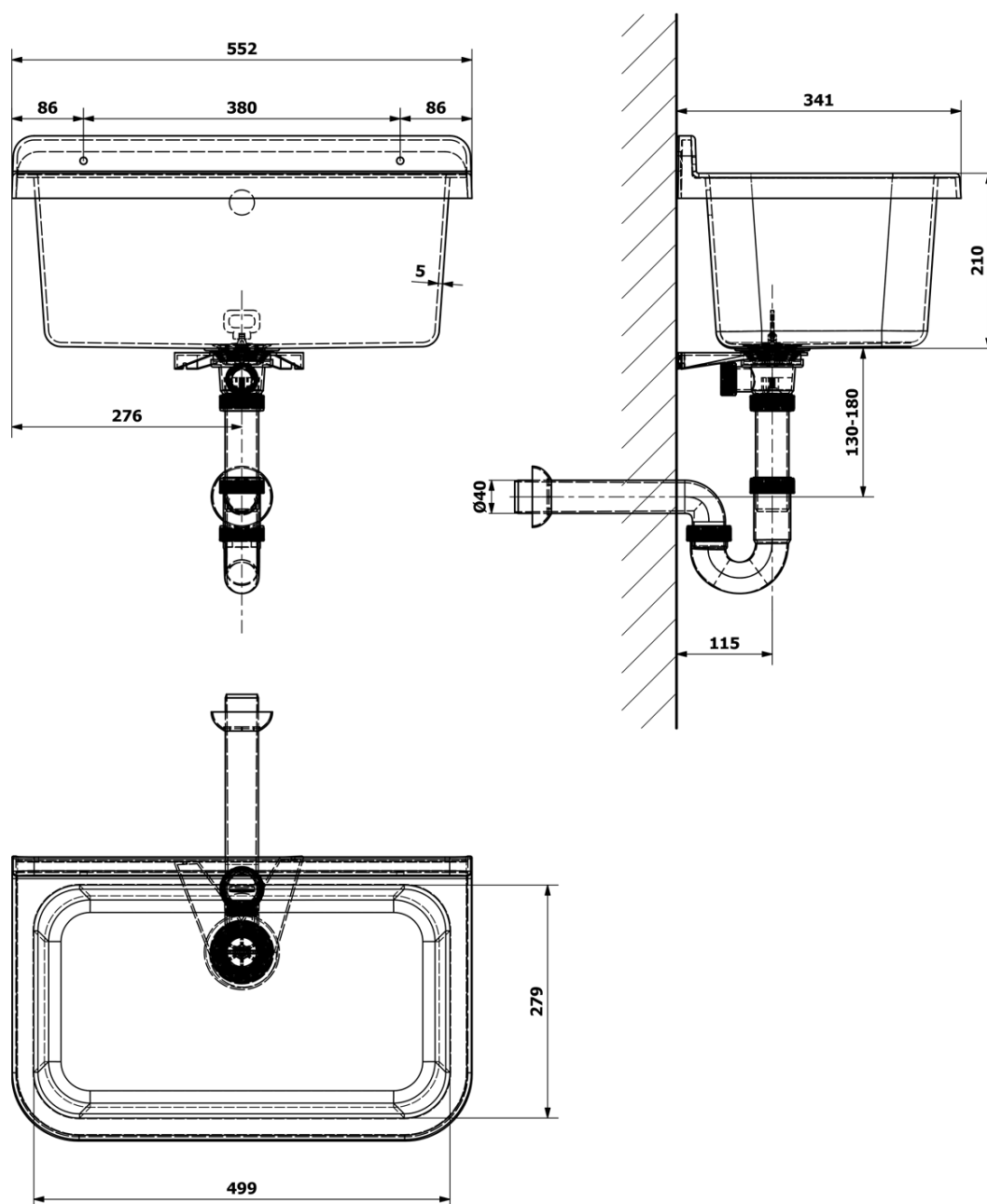
### We recommend buy

1 Piece Universal grid for wall hung sinks, plastic, white (Order code: PI5020)

### Spare parts

Siphon for the sink (Order code: NDPI5055)

Technical sheet



# Wall-Hung Utility Sink 55x34cm, plastic, white

