

# Acrylic seal glass/floor (shower tray), lenght 1000mm for 8mm glass

Order code: 309D-08

## Basic information

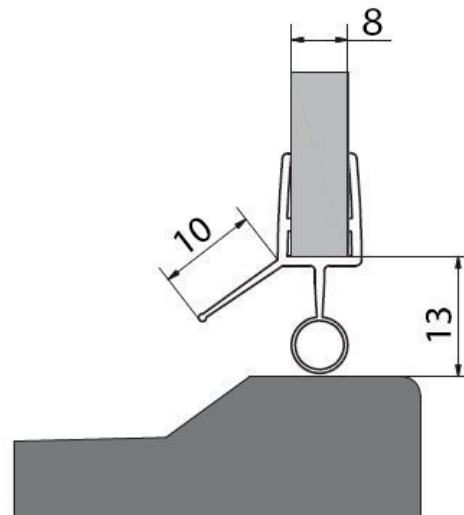
Brand: Polysan

## Properties

Weight / Piece: 0.361 kg

Packaging: 1 Piece

Warranty: 2 years



Acrylic seal glass/floor (shower tray), length  
1000mm for 8mm glass



Technical sheet

Acrylic seal glass/floor (shower tray), length  
1000mm for 8mm glass

