

## LUCIS LINE Rectangular screen 1200x1000mm L/R variant

**Order code:** DL1215DL3515

**Size**

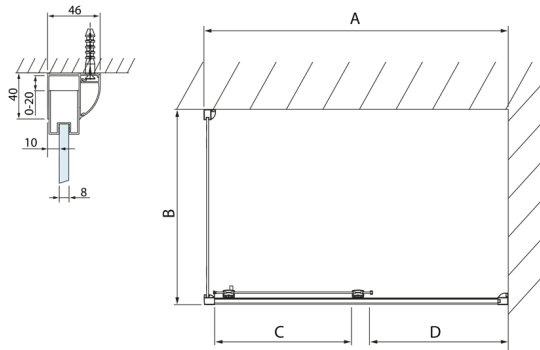
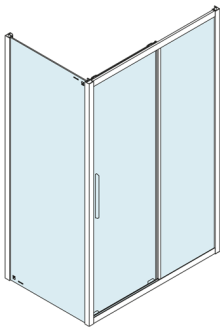
Width: 1200 mm  
 Height: 2000 mm  
 Depth: 1000 mm

**Properties**

Warranty: 2 years



### Technical sheet



Model	A	C	D
DL1015	970-1010	375	~437
DL1115	1070-1110	425	~487
DL1215	1170-1210	475	~537
DL1315	1270-1310	525	~587
DL1415	1370-1410	575	~637

Model	B
DL3215	670-690
DL3315	770-790
DL3415	870-890
DL3515	970-990

