

## LUCIS LINE Rectangular screen 900x800mm L/R variant



**Order code:** DL2815DL3315

### Basic information

**Brand:** Polysan  
**Series:** LUCIS LINE

### Size

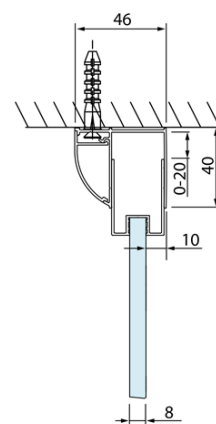
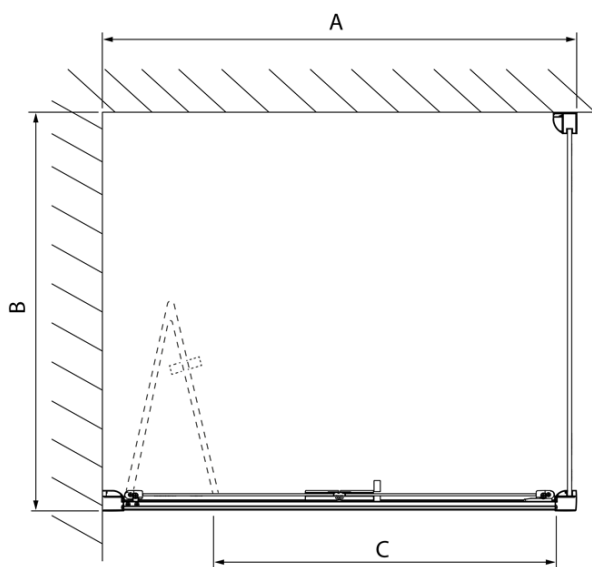
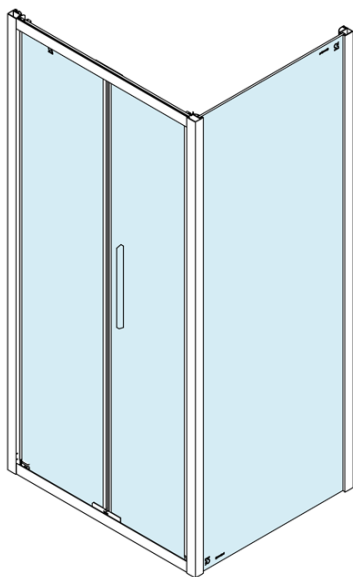
**Width:** 900 mm  
**Height:** 2000 mm  
**Depth:** 800 mm

### Properties

**Profile colour:** Chrome - polished aluminum  
**Shape:** Rectangular shower enclosures  
**Type of opening:** Folding door  
**Opening direction:** Versatile  
**Opening width:** 675 mm  
**Glass colour:** TRANSPARENT glass  
**Glass finish:** Antidrop  
**Glass thickness:** 4 mm  
**Properties:** Framed design  
**Weight / Piece:** 53.0 kg  
**Packaging:** 2 Piece  
**Warranty:** 2 years



Technical sheet



Model	A	C
DL2715	770-810	575
DL2815	870-910	675

Model	B
DL3215	670-690
DL3315	770-790
DL3415	870-890
DL3515	970-990

