

LUCIS LINE Rectangular screen 900x800mm L/R variant

Order code: DL2815DL3315

Size

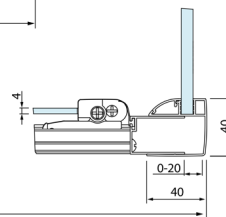
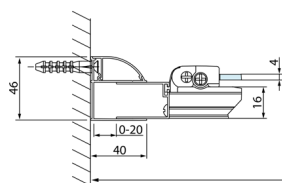
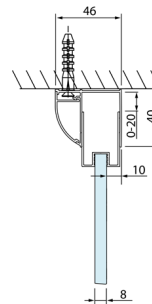
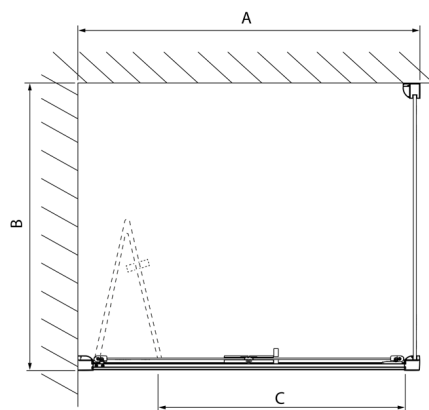
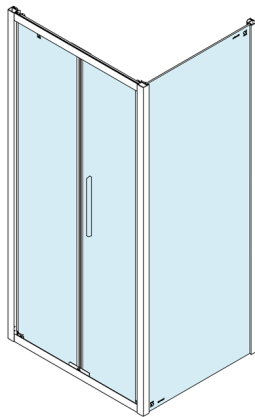
Width: 900 mm
 Height: 2000 mm
 Depth: 800 mm

Properties

Warranty: 2 years



Technical sheet



Model	A	C
DL2715	770-810	575
DL2815	870-910	675

Model	B
DL3215	670-690
DL3315	770-790
DL3415	870-890
DL3515	970-990