

**Order code:** DL2815DL3415

**Basic information**

**Brand:** Polysan  
**Series:** LUCIS LINE

**Size**

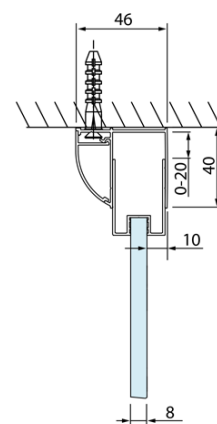
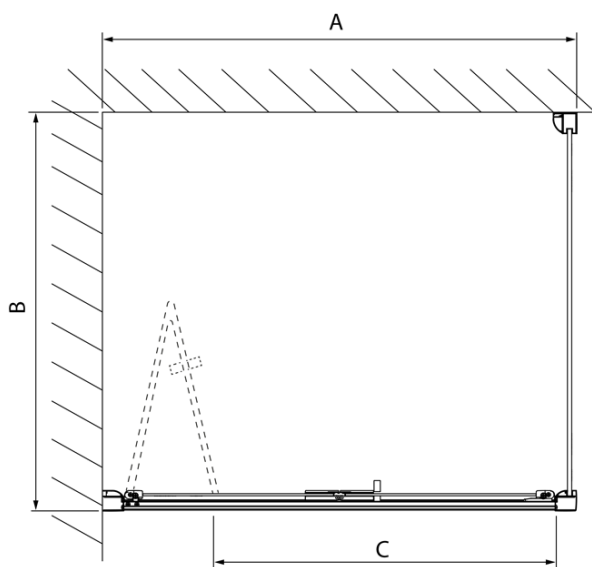
**Width:** 900 mm  
**Height:** 2000 mm  
**Depth:** 900 mm

**Properties**

**Profile colour:** Chrome - polished aluminum  
**Shape:** Square shower enclosures  
**Type of opening:** Folding door  
**Opening direction:** Versatile  
**Opening width:** 675 mm  
**Glass colour:** TRANSPARENT glass  
**Glass finish:** Antidrop  
**Glass thickness:** 4 mm  
**Properties:** Framed design  
**Weight / Piece:** 60.99 kg  
**Packaging:** 2 Piece  
**Warranty:** 2 years



Technical sheet



Model	A	C
DL2715	770-810	575
DL2815	870-910	675

Model	B
DL3215	670-690
DL3315	770-790
DL3415	870-890
DL3515	970-990

