

## LUCIS LINE Square screen 900x900 L/R variant

**Order code:** DL2815DL3415

**Size**

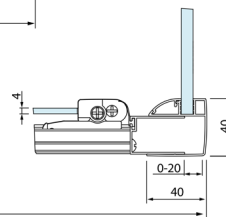
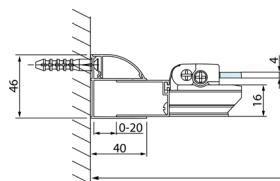
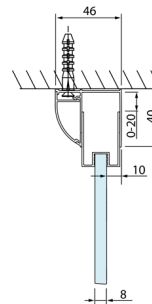
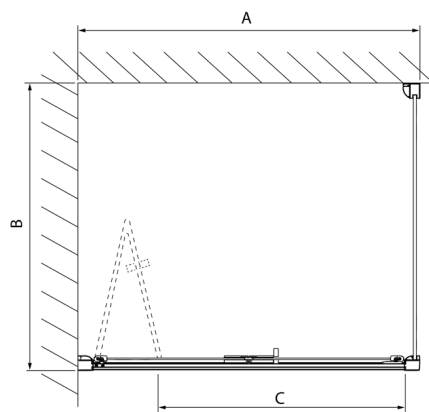
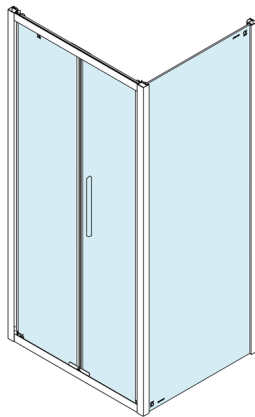
Width: 900 mm  
 Height: 2000 mm  
 Depth: 900 mm

**Properties**

Warranty: 2 years



### Technical sheet



Model	A	C
DL2715	770-810	575
DL2815	870-910	675

Model	B
DL3215	670-690
DL3315	770-790
DL3415	870-890
DL3515	970-990