

LUCIS LINE Quadrant Shower Enclosure

1000x1000mm, R550, clear glass



Order code: DL3015

Basic information

Brand: Polysan
Series: LUCIS LINE

Size

Width: 1000 mm
Height: 2000 mm
Depth: 1000 mm

Properties

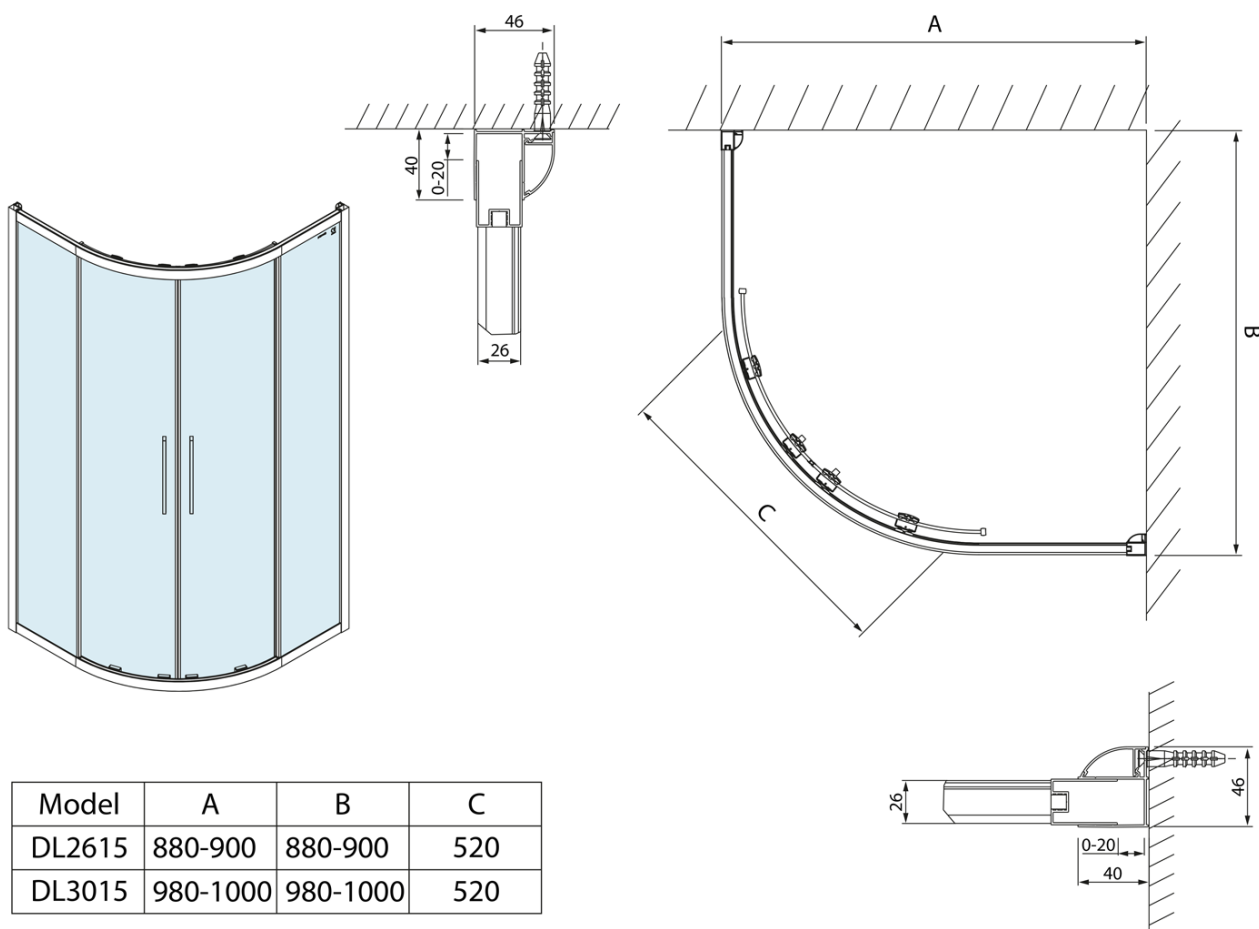
Profile colour: Chrome - polished aluminum
Shape: Quadrant shower enclosures
Type of opening: Sliding door
Opening width: 520 mm
Glass colour: TRANSPARENT glass
Glass finish: Antidrop
Glass thickness: 6 mm
Radius: R550
Properties: Framed design
Weight / Piece: 53.99 kg
Packaging: 1 Piece
Warranty: 2 years



LUCIS LINE Quadrant Shower Enclosure
1000x1000mm, R550, clear glass



Technical sheet



| Model | A | B | C |
|--------|----------|----------|-----|
| DL2615 | 880-900 | 880-900 | 520 |
| DL3015 | 980-1000 | 980-1000 | 520 |