

**Order code:** EL1215

## Basic information

**Brand:** Polysan

**Series:** EASY

## Size

**Width:** 1200 mm

**Height:** 1900 mm

## Properties

**Profile colour:** Chrome - polished aluminum

**Shape:** Alcove door

**Type of opening:** Sliding door

**Opening direction:** Versatile

**Opening width:** 480 mm

**Glass colour:** TRANSPARENT glass

**Glass thickness:** 6 mm

**Installation width from:** 1175 mm

**Installation width up to:** 1215 mm

**Properties:** Framed design

**Weight / Piece:** 36.5 kg

**Packaging:** 1 Piece

**Warranty:** 2 years



## Spare parts

Set of vertical seals (Order code: NDAE11)

Wall profile (Order code: NDAE12)

Lower tiltable roller (Order code: NDAE33)

AGEL installation kit blister (Order code: NDAESET)

Top covers (Order code: NDAE01LP)

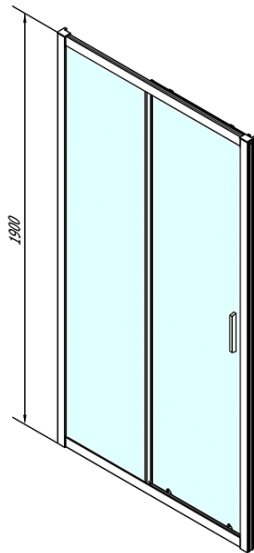
Stop left (Order code: NDAE06L)

Upper roller (Order code: NDAE32)

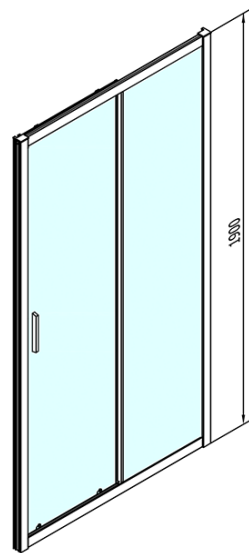
Stop right (Order code: NDAE06P)

Set of crimp seals (Order code: NDAE14)

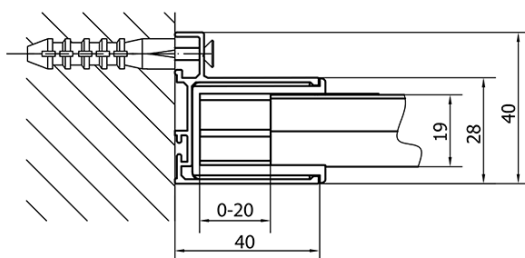
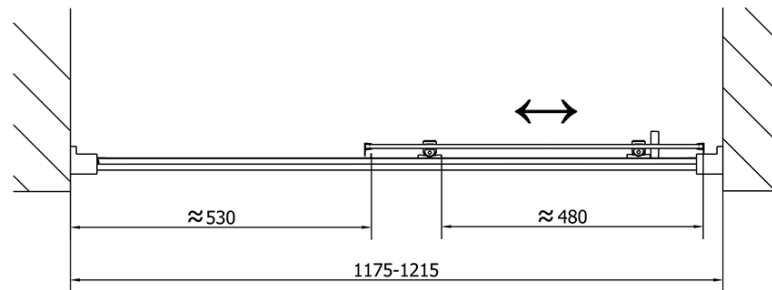
Technical sheet

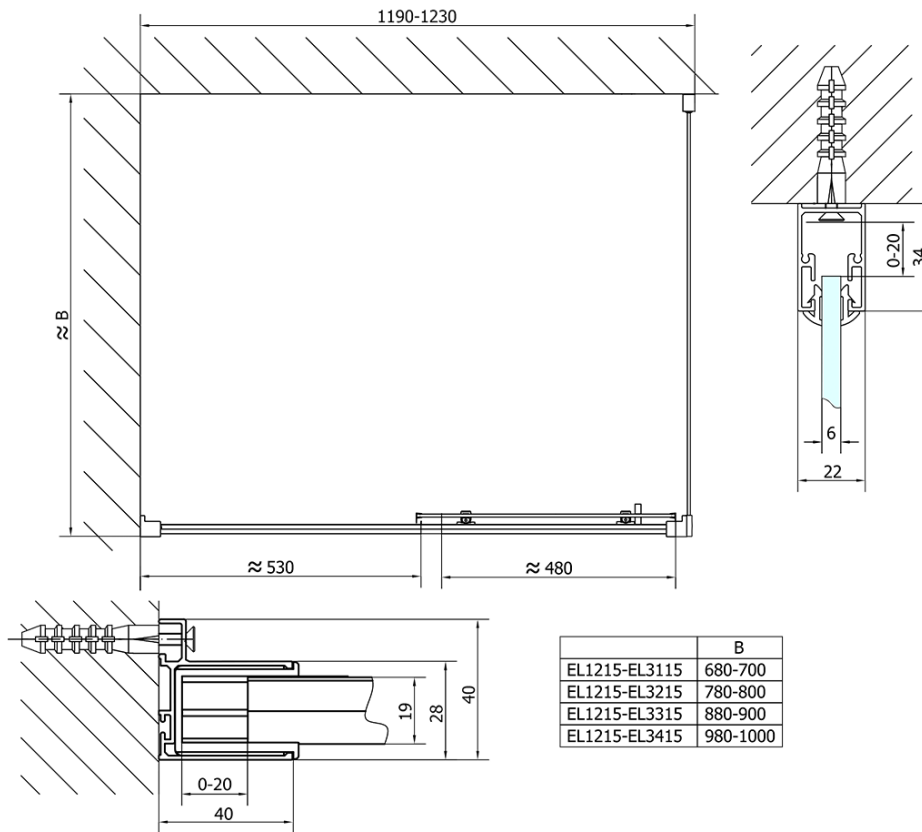
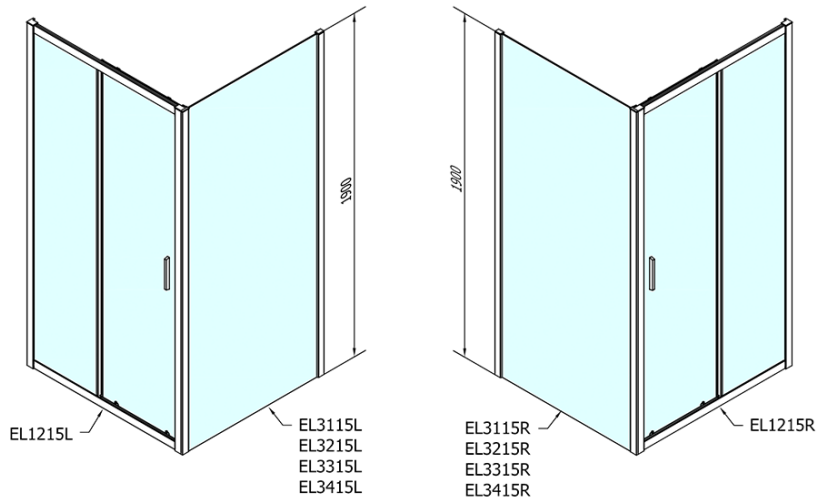


EL1215L



EL1215R





|               | B        |
|---------------|----------|
| EL1215-EL3115 | 680-700  |
| EL1215-EL3215 | 780-800  |
| EL1215-EL3315 | 880-900  |
| EL1215-EL3415 | 980-1000 |