

# CLASSIC WC pan, S-trap/P-trap, white ExtraGlaze

GSI<sup>®</sup>

Order code: 871711

## Size

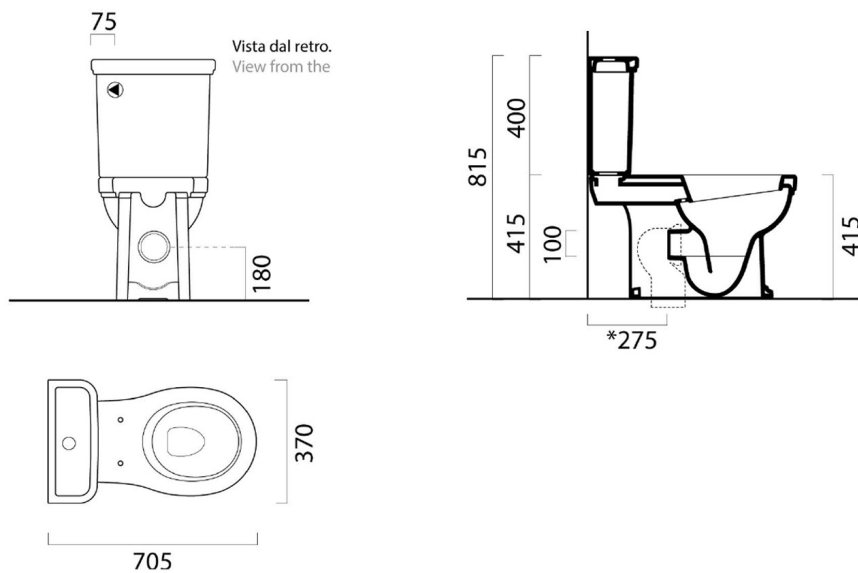
Width: 370 mm  
 Height: 415 mm  
 Depth: 705 mm

## Properties

Colour: White  
 Material: Ceramic  
 Warranty: 2 years



## Technical sheet



Raccordi di scarico - Flushing connections	Codici - Codes	Interasse - Distance
	MCURVA	* 275
	MCURVAS	* Da 250 a 320 mm * From 250 to 320 mm
	MCURVA90	* Da 80 a 230 mm * From 80 to 230 mm