

# BUCANERA stainless steel floor drain with grate, L-900, DN50



Order code: NO3190

## Basic information

Brand: Aqualine  
Series: AQUALINE SHOWER CHANNELS

## Size

Length: 900 mm  
Width: 110 mm  
Height: 90 mm

## Properties

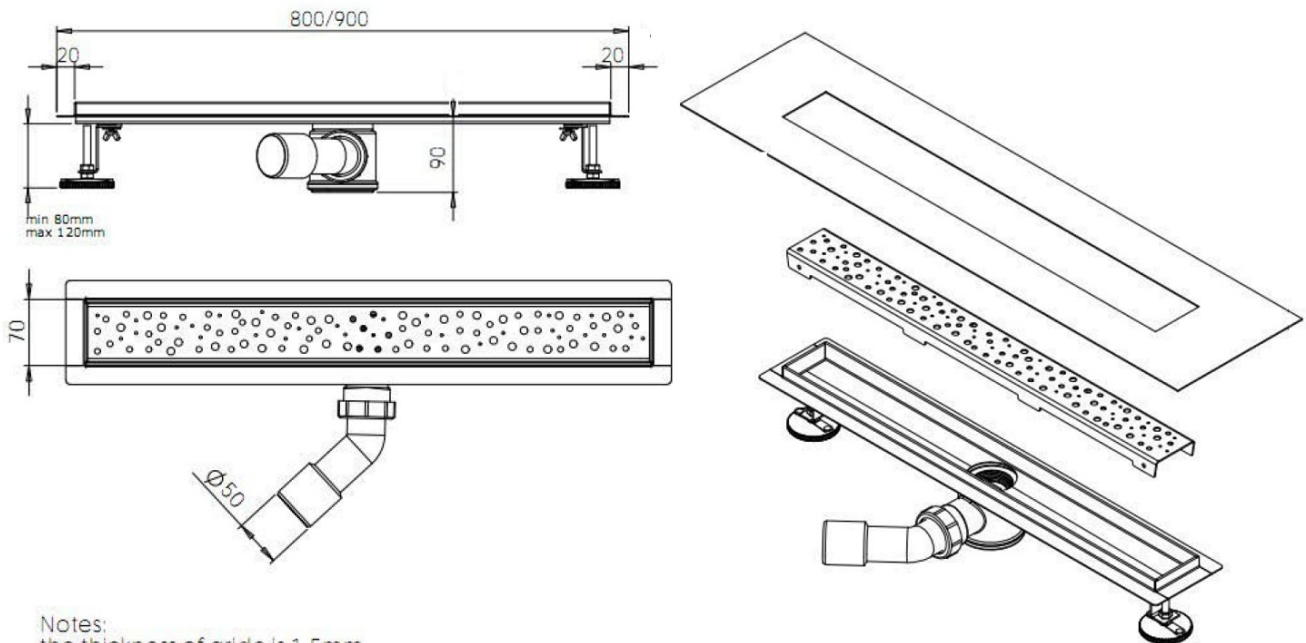
Colour: Stainless steel  
Material: Stainless steel  
Installation: Free in the floor - grate  
Waste diameter: 40 mm  
Shower channel length  
from: 900 mm  
Shower channel length  
to: 900 mm  
Weight / Piece: 3.44 kg  
Packaging: 1 Piece  
Warranty: 2 years



## Spare parts

Legs for stainless steel shower drain channel (NO3180-90) (Order code: NDNO3180-1)  
Hook (Order code: NDNO3180-3)  
Nut for a siphon (NO3180-90) (Order code: NDNO3180-5)

## Technical sheet



Notes:  
the thickness of grille is 1.5mm  
the thickness of base is 1.2mm