

BUCANERA stainless steel floor drain with grate, L-900, DN50



Order code: NO3190

Basic information

Brand: Aqualine
Series: AQUALINE SHOWER CHANNELS

Size

Length: 900 mm
Width: 110 mm
Height: 90 mm

Properties

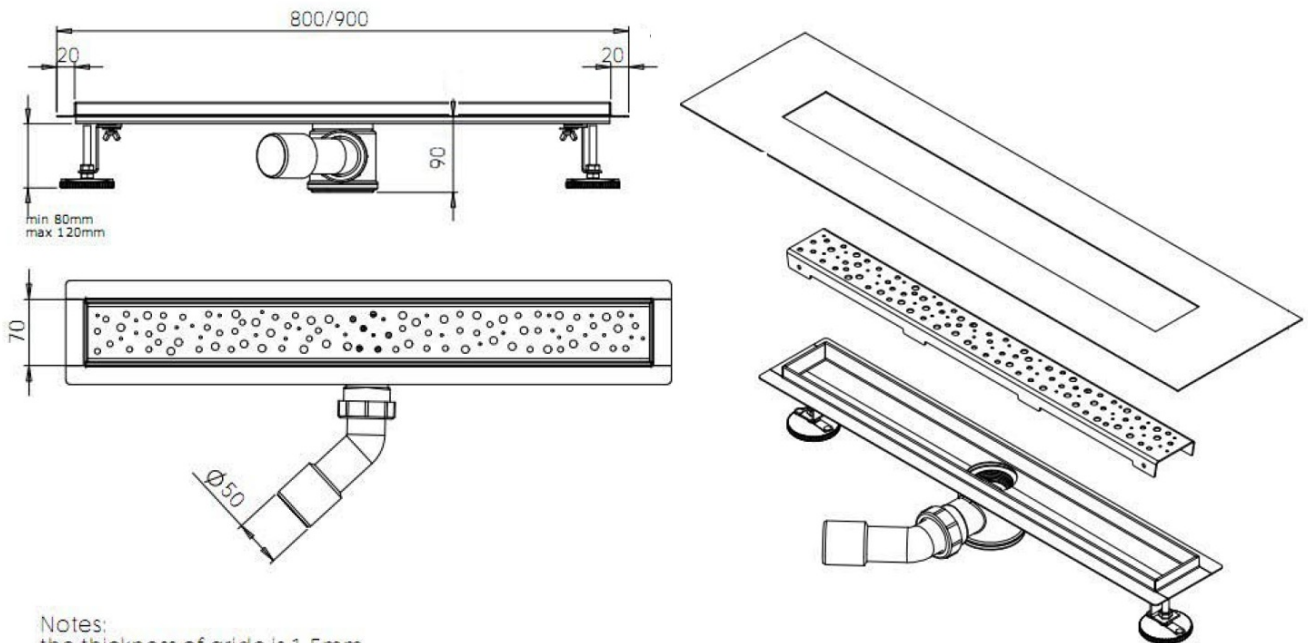
Colour: Stainless steel
Material: Stainless steel
Installation: Free in the floor - grate
Waste diameter: 40 mm
Shower channel length
from: 900 mm
Shower channel length
to: 900 mm
Weight / Piece: 3.44 kg
Packaging: 1 Piece
Warranty: 2 years



Spare parts

Legs for stainless steel shower drain channel (NO3180-90) (Order code: NDNO3180-1)
Hook (Order code: NDNO3180-3)
Nut for a siphon (NO3180-90) (Order code: NDNO3180-5)

Technical sheet



Notes:
the thickness of grille is 1.5mm
the thickness of base is 1.2mm