

Order code: ED172

**Basic information**

Brand: Sapho

Series: TREX

**Size**

Width: 770 mm

**Properties**

Material: Aluminum

Type of Light: LED

Light Control: Not included

Electrical protection: IP21

Voltage: 230 V

Power input: 12 W

LED colour: Daily white (4 000 - 5 000 K)

Luminosity: 860 lm

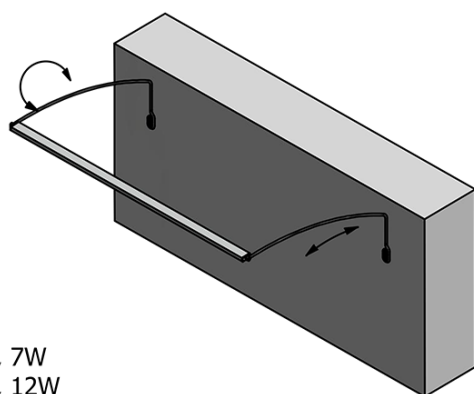
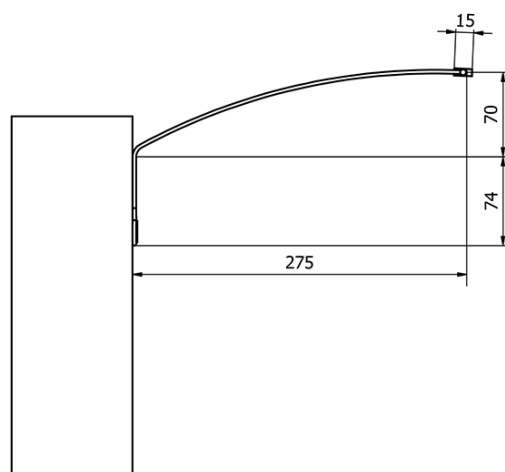
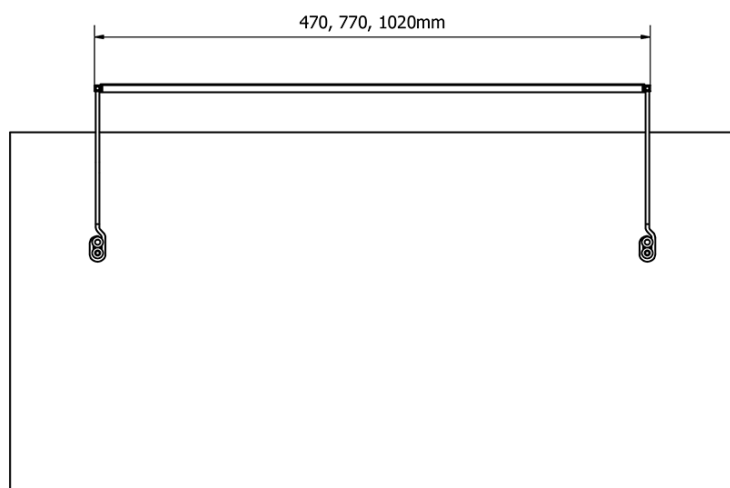
Weight / Piece: 0.73 kg

Packaging: 1 Piece

Warranty: 2 years



Technical sheet



- ED163 - 470mm, 7W
- ED172 - 770mm, 12W
- ED186 - 1020mm, 15W