

## HANDICAP Ease of Living Bath and Shower Stool with Backrest (H) 340-520mm, white

**Order code:** A00602101

### Size

**Width:** 490 mm

**Height:** 670 mm

**Depth:** 295 mm

### Properties

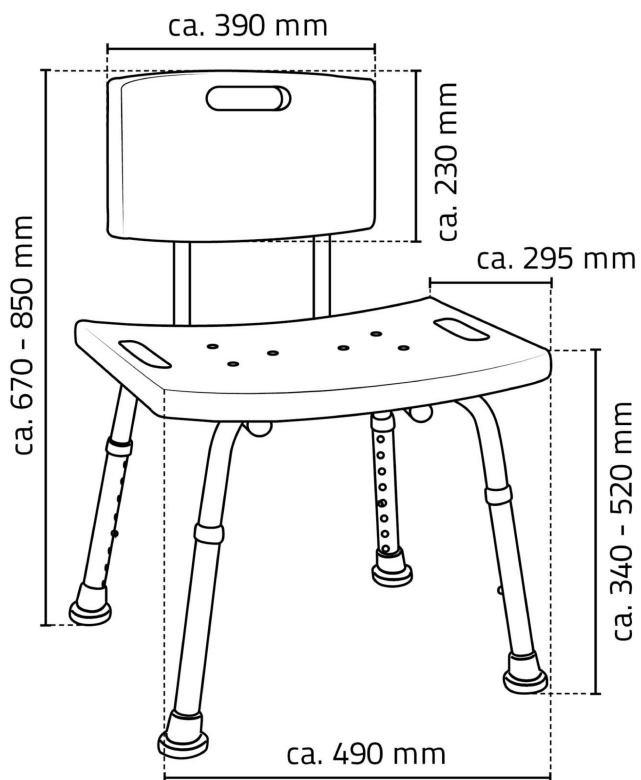
**Colour:** White

**Material:** Aluminum, Plastic

**Warranty:** 2 years



## Technical sheet



MAXIMUM LOAD: 150KG  
MAXIMÁLNÍ ZATÍŽENÍ: 150KG