

**LUCIS LINE Quadrant Shower Enclosure,
900x900mm, R550, clear glass**



Order code: DL2615

Size

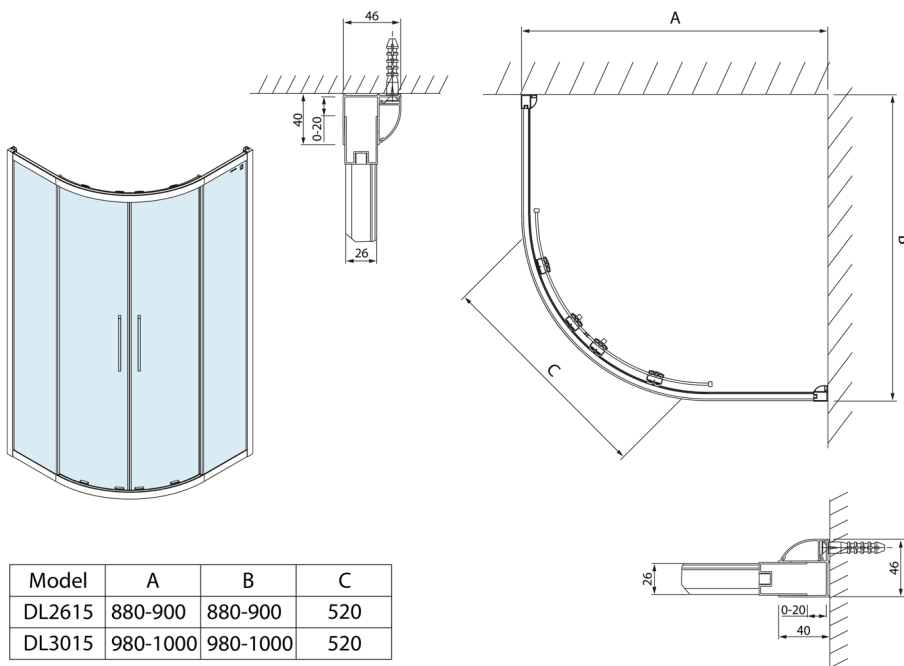
Width: 900 mm
Height: 2000 mm
Depth: 900 mm

Properties

Warranty: 2 years



Technical sheet



Model	A	B	C
DL2615	880-900	880-900	520
DL3015	980-1000	980-1000	520