

Order code: 68091

Basic information

Brand: Sapho
Series: FLAVIA

Size

Width: 900 mm
Depth: 500 mm

Properties

Colour: White
Material: Cast marble
Installation: Wall-hung - Bracket
Type of washbasin: Washbasin
Tap hole: 1 tap hole
Overflow: Yes
Shape: Rectangle
Package contains: Overflow Kit
Weight / Piece: 21.07 kg
Packaging: 1 Piece
Warranty: 2 years



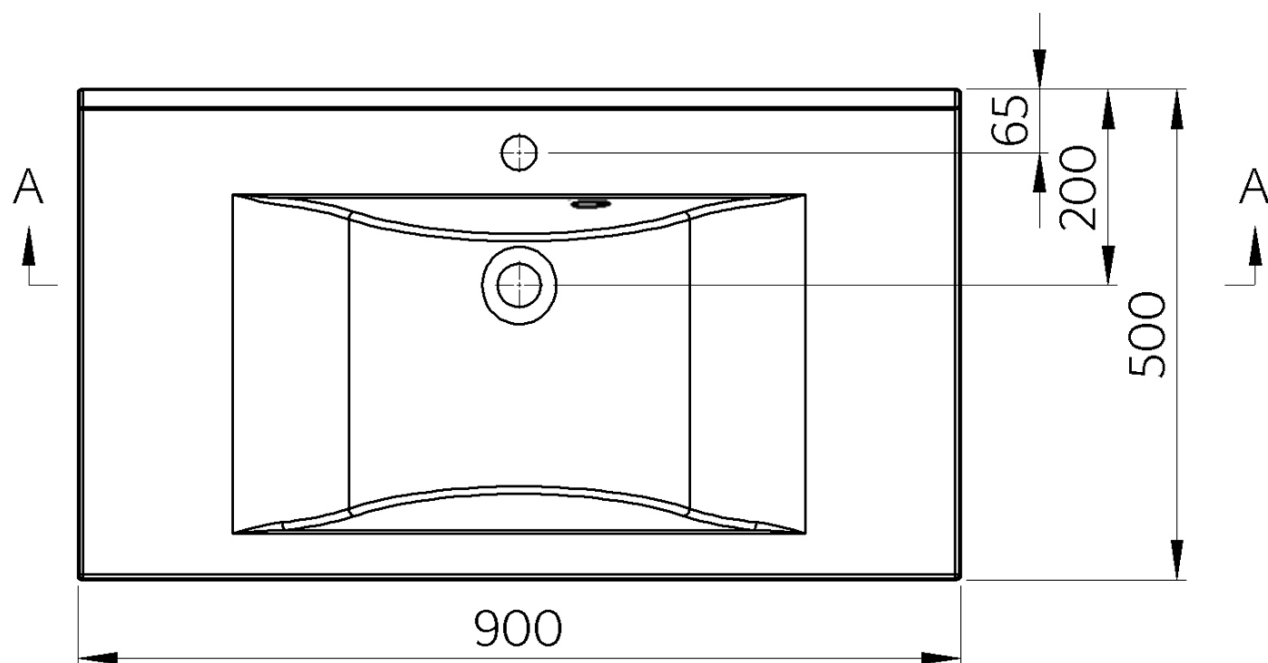
We recommend buy

2 Piece Support bracket 490x150x25 mm, chrome, 1pcs (Order code: 30390)

Spare parts

External overflow set for cast marble sinks (Order code: ND3032)

Technical sheet



A-A

