

Order code: 68061

Basic information

Brand: Sapho
Series: FLAVIA

Size

Width: 600 mm
Depth: 500 mm

Properties

Colour: White
Material: Cast marble
Installation: Freestanding, Wall-hung - Bracket
Type of washbasin: Washbasin
Tap hole: 1 tap hole
Overflow: Yes
Shape: Rectangle
Package contains: Overflow Kit
Weight / Piece: 16.71 kg
Packaging: 1 Piece
Warranty: 2 years



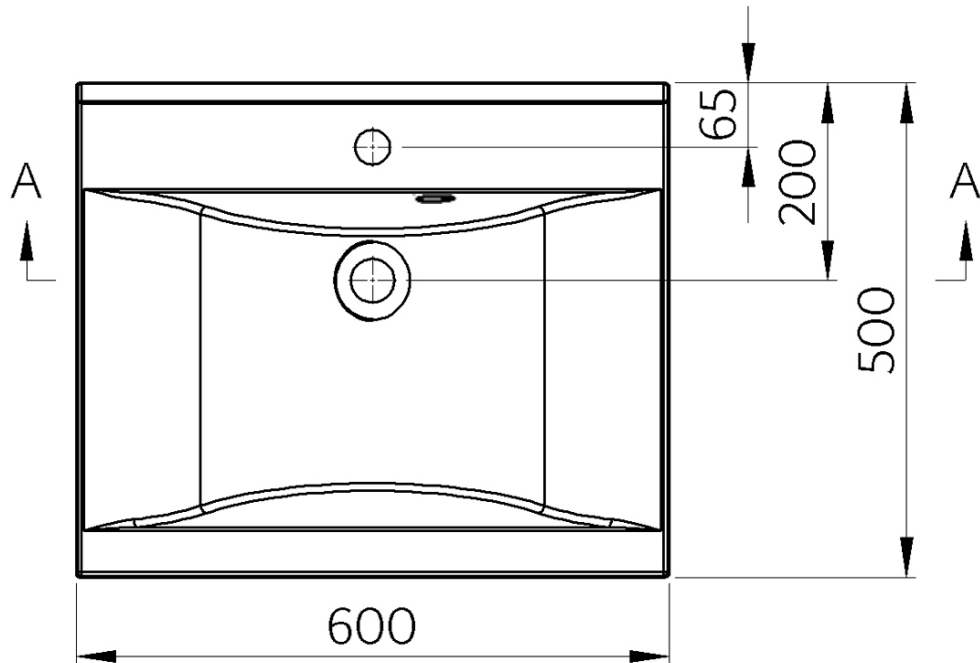
We recommend buy

2 Piece Support bracket 490x150x25mm, chrome, 1pcs (Order code: 30390)

Spare parts

External overflow set for cast marble sinks (Order code: ND3032)

Technical sheet



A-A

