

## MANUS ONDA stainless steel floor drain with grate, L-950, DN50

Order code: GMO15

### Size

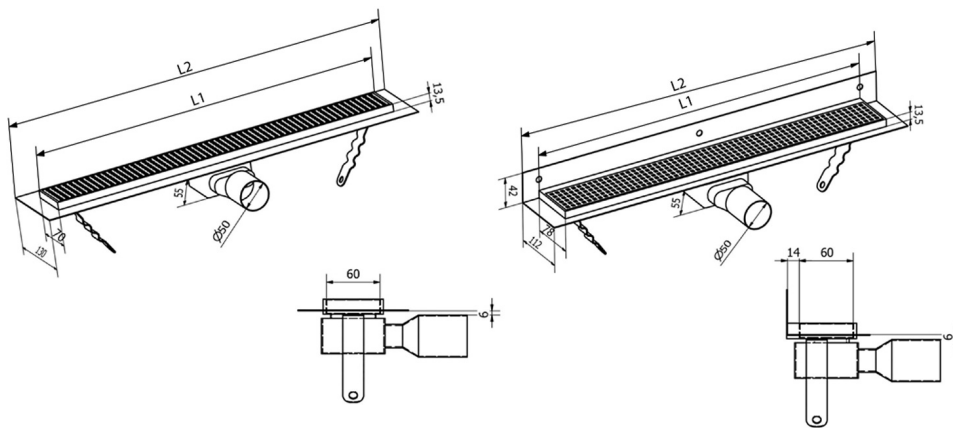
Length: 950 mm  
 Width: 130 mm  
 Height: 55 mm



### Properties

Colour: Stainless steel  
 Material: Stainless steel  
 Warranty: 2 years

### Technical sheet



Instalační rozměry							
L1 (mm)	590	690	790	890	990	1 090	1 190
L2 (mm)	650	750	850	950	1 050	1 150	1 250