

EVIAL Whirlpool Bath, 170x100x47cm, Highline Hydro, chrome



Order code: 21611.5010

Basic information

Brand: Polysan
Series: HYDROMASSAGE SYSTEMS

Size

Length: 1700 mm
Width: 1000 mm
Height: 470 mm
Volume: 255 l

Properties

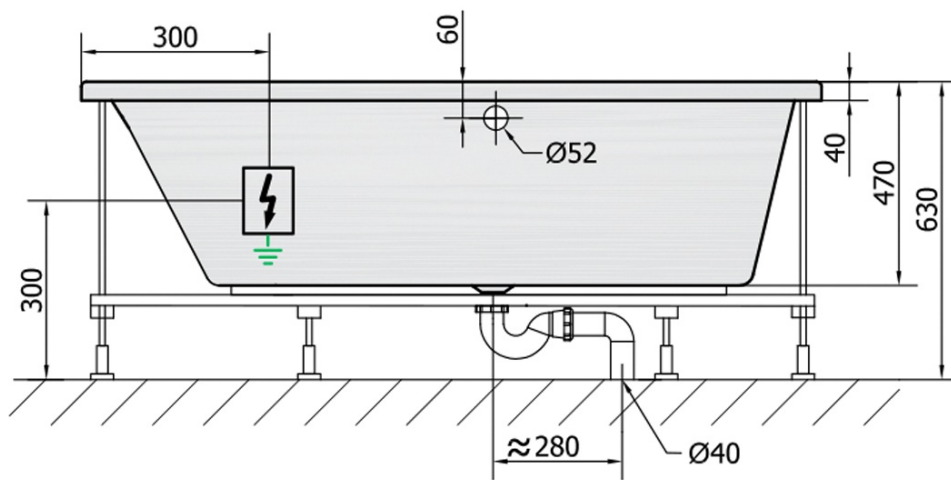
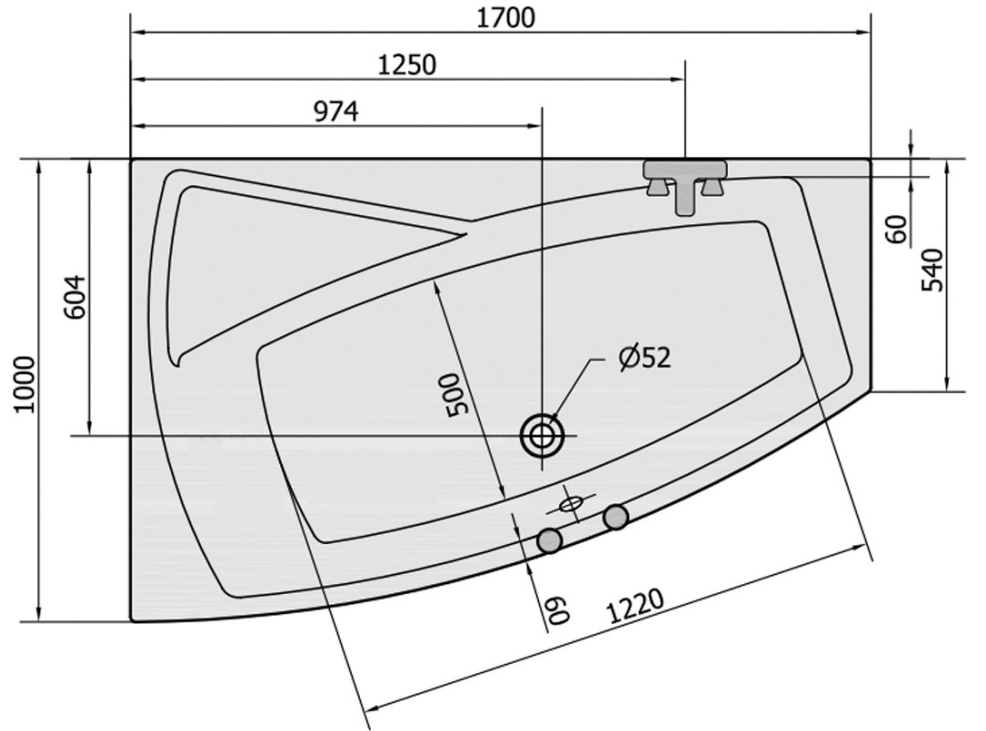
Colour: White
Colour options: According to the Swatch
Material: Acrylate
Shape: Asymmetric
Installation: Built-in
Waste diameter: 52 mm
Whirlpool system: HIGHLINE HYDRO
Weight / Piece: 52.28 kg
Packaging: 1 Piece
Warranty: 2 years



We recommend buy

1 Piece Sound insulation bath tape, 3m (Order code: 93400)

Technical sheet



VOLUME 255L