

CLEO Whirlpool Bath, 160x70x48cm, Attraction Hydro-Air, chrome



Order code: 73611.4010

Basic information

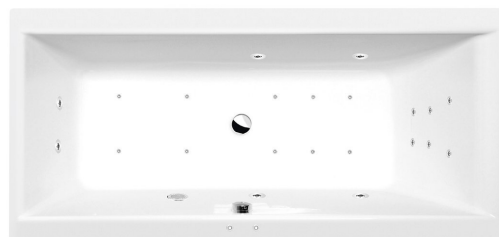
Brand: Polysan
Series: HYDROMASSAGE SYSTEMS

Size

Length: 1600 mm
Width: 700 mm
Height: 480 mm
Volume: 225 l

Properties

Colour: White
Colour options: According to the Swatch
Material: Acrylate
Shape: Rectangular
Installation: Built-in
Waste diameter: 52 mm
Whirlpool system: ATTRACTION HYDRO AIR
Weight / Piece: 47.09 kg
Packaging: 1 Piece
Warranty: 2 years



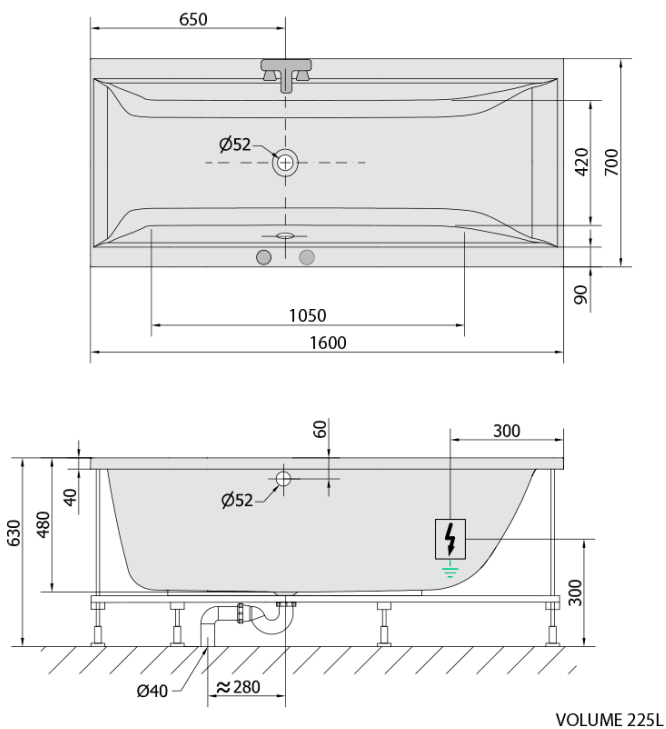
We recommend buy


1 Piece Sound insulation bath tape, 3m (Order code: 93400)

CLEO Whirlpool Bath, 160x70x48cm, Attraction Hydro-Air, chrome



Technical sheet



- Electric cable $3 \times 2,5 \text{mm}^2$
Lenght 2m from the wall
-  Elektrický kabel $3 \times 2,5 \text{mm}^2$
Délka kabelu ze zdi 2m
- Electrical Characteristic:
Tension: 220-230V/50hz
Max. power consumption: 1200W
Electric protection: residual-current device 30mA
- Elektrické vlastnosti:
Napětí: 220-230V/50hz
Max. spotřeba: 1200W
Elektrické jistění: proudový chránič 30mA