

# ANDRA R Whirlpool Bath, 160x90x45cm, Highline Hydro-Air, chrome



Order code: 81541.6010

## Basic information

Brand: Polysan  
Series: HYDROMASSAGE SYSTEMS

## Size

Length: 1600 mm  
Width: 900 mm  
Height: 450 mm  
Volume: 240 l

## Properties

Colour: White  
Colour options: According to the Swatch  
Material: Acrylate  
Shape: Asymmetric  
Installation: Built-in  
Waste diameter: 52 mm  
Whirlpool system: HIGHLINE HYDRO AIR  
Weight / Piece: 59.19 kg  
Packaging: 1 Piece  
Warranty: 2 years

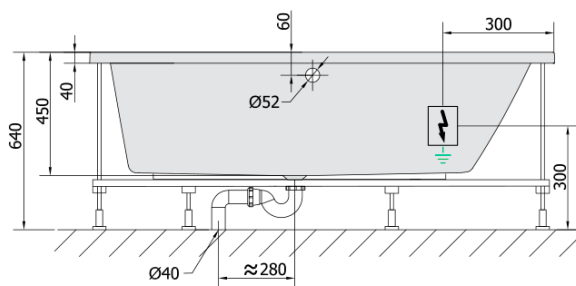
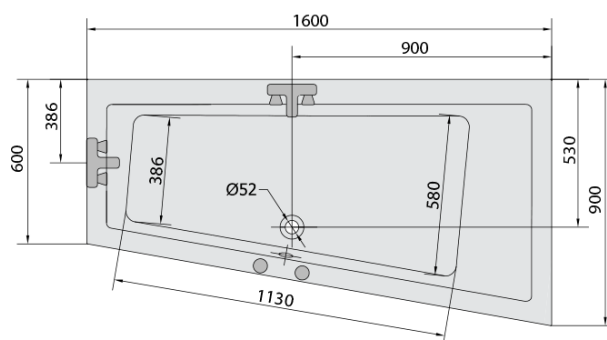


## We recommend buy

1 Piece      Sound insulation bath tape, 3m (Order code: 93400)

ANDRA R Whirlpool Bath, 160x90x45cm, Highline  
Hydro-Air, chrome

Technical sheet



VOLUME 300L

Electric cable 3x2,5mm<sup>2</sup>  
Lenght 2m from the wall



Elektrický kabel 3x2,5mm<sup>2</sup>  
Délka kabelu ze zdi 2m

Electrical Characteristic:  
Tension: 220-230V/50hz  
Max. power consumption: 1200W  
Electric protection: residual-current device 30mA

Elektrické vlastnosti:  
Napětí: 220-230V/50hz  
Max. spotřeba: 1200W  
Elektrické jistění: proudový chránič 30mA