

DRAGON BLACK Shower Door 1100mm, clear glass



Order code: GD4611B

Basic information

Brand: Gelco
Series: DRAGON

Size

Width: 1100 mm
Height: 2000 mm

Properties

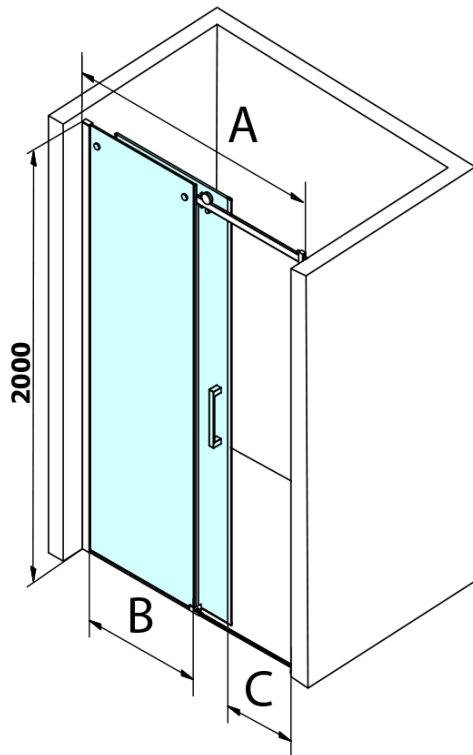
Profile colour: Black matt
Shape: Alcove door
Type of opening: Sliding door
Opening direction: Versatile
Opening width: 420 mm
Glass colour: TRANSPARENT glass
Glass finish: Coated glass
Glass thickness: 8 mm
Installation width from: 1020 mm
Installation width up to: 1110 mm
Properties: Frameless design
Weight / Piece: 51.0 kg
Packaging: 1 Piece
Warranty: 3 years



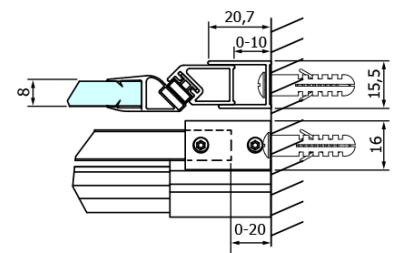
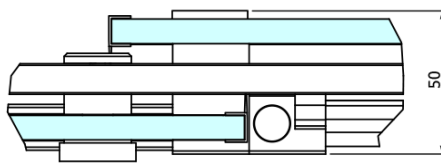
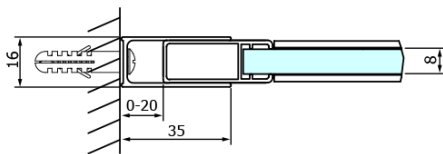
Spare parts

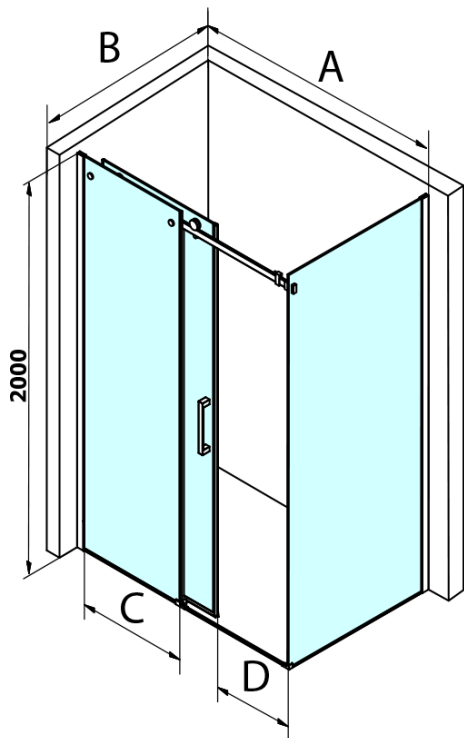
Set of magnetic seal for glass 8mm and 3M, 2000mm (Order code: NDGD05)
DRAGON mounting kit (Order code: NDGD04)

Technical sheet



MODEL	A	B	C
GD4611B	1020-1110	510	420
GD4612B	1120-1210	560	470
GD4613B	1220-1310	610	520
GD4614B	1320-1410	660	570
GD4615B	1420-1510	710	620
GD4616B	1520-1610	760	670





MODEL	A	C	D
GD4611B	1020-1110	510	420
GD4612B	1120-1210	560	470
GD4613B	1220-1310	610	520
GD4614B	1320-1410	660	570
GD4615B	1420-1510	710	620
GD4616B	1520-1610	760	670

MODEL	B
GD7280B	780-800
GD7290B	880-900

