

# GINKO 35 washbasin mixer without pop up waste, ECO mixing cartridge, black matt



Order code: 1101-02B-01

## Basic information

Brand: Sapho  
Series: GINKO

## Size

Height: 176 mm  
Depth: 128 mm

## Properties

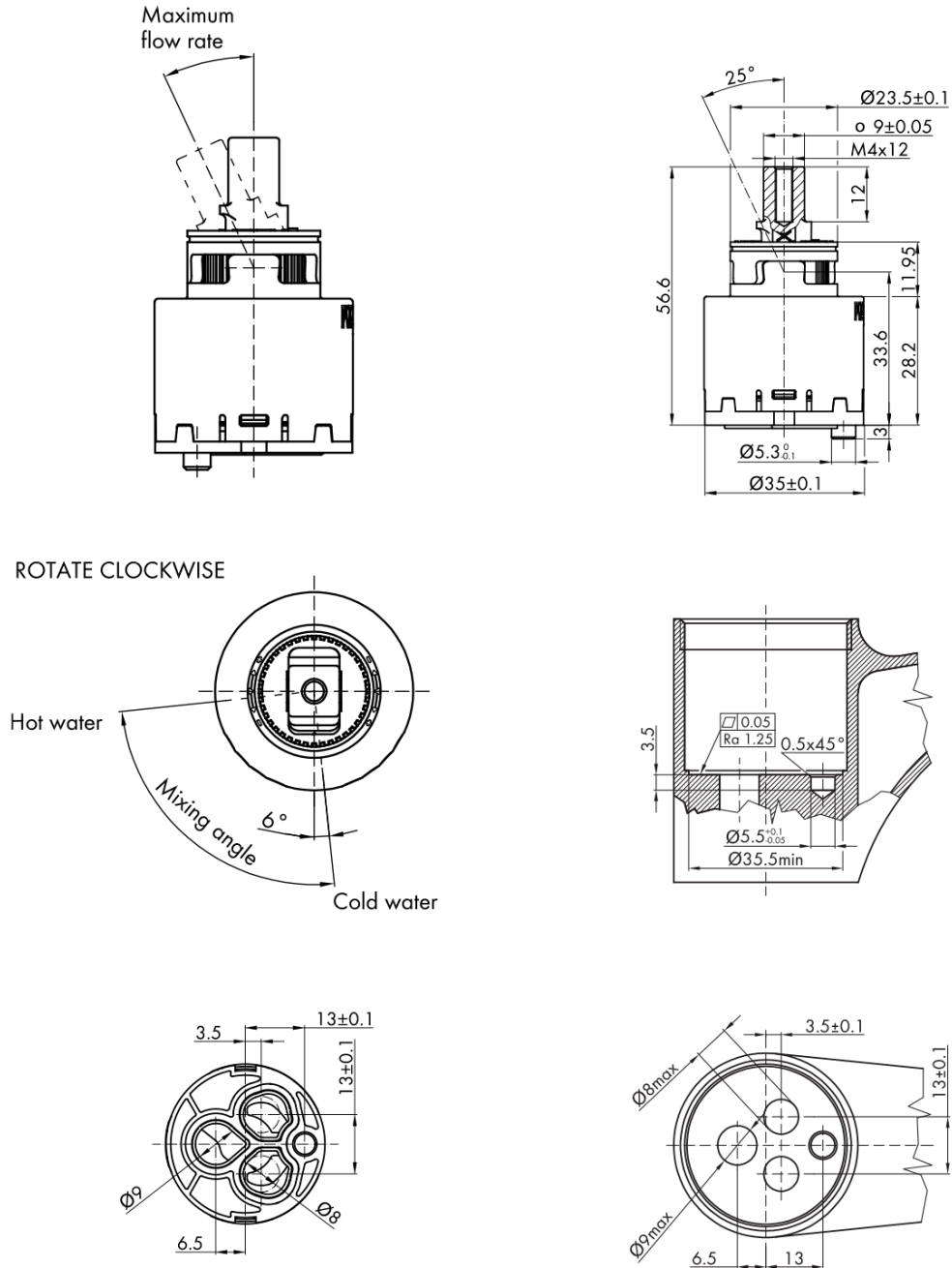
Colour: Black matt  
Material: Brass  
Shape: Square  
Installation: Freestanding  
Type of control: Lever  
Cartridge diameter: 35 mm  
Spout Height: 100 mm  
Equipment: ECO cartridge  
Weight / Piece: 1.951 kg  
Packaging: 2 Piece



**GINKO 35 washbasin mixer without pop up waste, ECO mixing cartridge, black matt**



**Technical sheet**



GINKO 35 washbasin mixer without pop up waste, ECO  
mixing cartridge, black matt

 **SAPHO**

