

# ROLLS Rectangular screen 1400x800 mm, L/R variant, clear glass



**Order code:** RL1415RL3215

## Basic information

**Brand:** Polysan  
**Series:** ROLLS

## Size

**Width:** 1400 mm  
**Height:** 2000 mm  
**Depth:** 800 mm

## Properties

**Profile colour:** Chrome - polished aluminum  
**Shape:** Rectangular shower enclosures  
**Type of opening:** Sliding door  
**Opening direction:** Versatile  
**Opening width:** 575 mm  
**Glass colour:** TRANSPARENT glass  
**Glass finish:** Antidrop  
**Glass thickness:** 8 mm  
**Properties:** Frameless design  
**Weight / Piece:** 99.0 kg  
**Packaging:** 2 Piece  
**Warranty:** 2 years



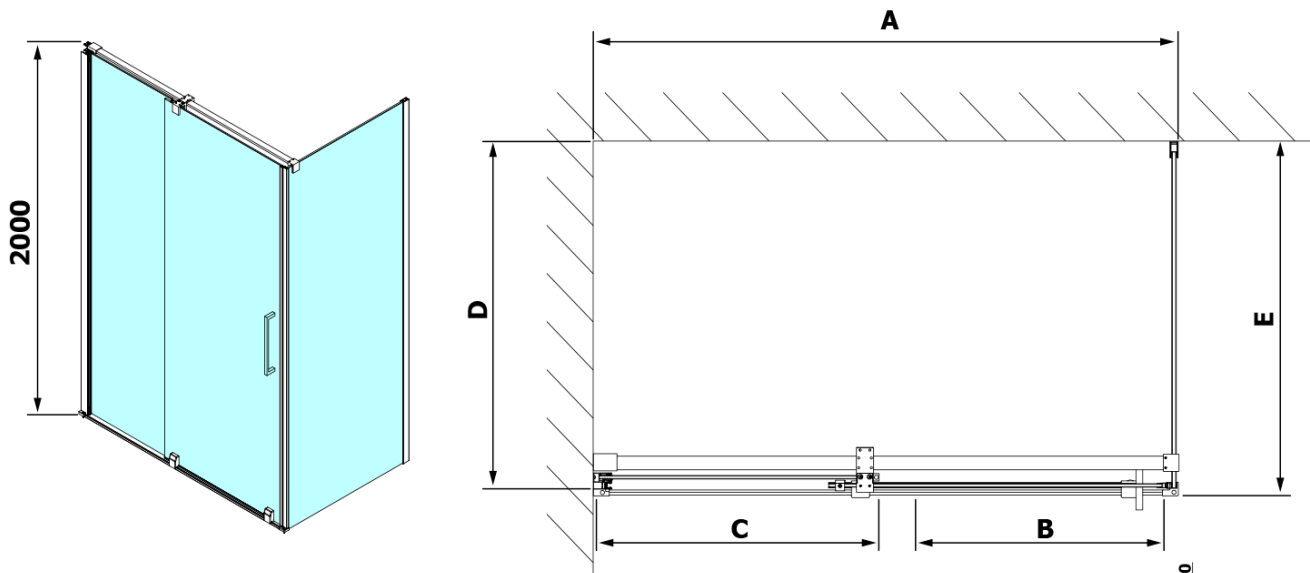
## Spare parts

ALTIS/ROLLS/DRAGON set of screw covers (Order code: NDAL03)  
Bottom seal under solid glass 8mm, 1000mm (Order code: NDRL03)  
ROLLS handle (Order code: NDRL-MADLO)  
Flat magnetic seal for glass 8mm, 2000mm (Order code: NDGV02)  
ROLLS L/P ends of the roller profile (Order code: NDRL05)  
Vertical seal for 8mm glass, 2000mm (Order code: NDRL02)  
Bottom seal for glass 8mm, 1000 mm, (Order code: NDRL01)  
ROLLS roller profile (Order code: NDRL04)

ROLLS Rectangular screen 1400x800 mm, L/R  
variant, clear glass



Technical sheet



Model	D	E
RL3215	765-785	780-800
RL3315	865-885	880-900
RL3415	965-985	980-1000

Model	A	B	C
RL1115	1072-1102	425	~500
RL1215	1172-1202	475	~550
RL1315	1272-1302	525	~600
RL1415	1372-1402	575	~650
RL1515	1472-1502	625	~700
RL1615	1572-1602	675	~750

