

# ROLLS Rectangular screen 1200x1000 mm, L/R variant, clear glass



Order code: RL1215RL3415

## Basic information

Brand: Polysan  
Series: ROLLS

## Size

Width: 1200 mm  
Height: 2000 mm  
Depth: 1000 mm

## Properties

Profile colour: Chrome - polished aluminum  
Shape: Rectangular shower enclosures  
Type of opening: Sliding door  
Opening direction: Versatile  
Opening width: 475 mm  
Glass colour: TRANSPARENT glass  
Glass finish: Antidrop  
Glass thickness: 8 mm  
Properties: Frameless design  
Weight / Piece: 99.0 kg  
Packaging: 2 Piece  
Warranty: 2 years

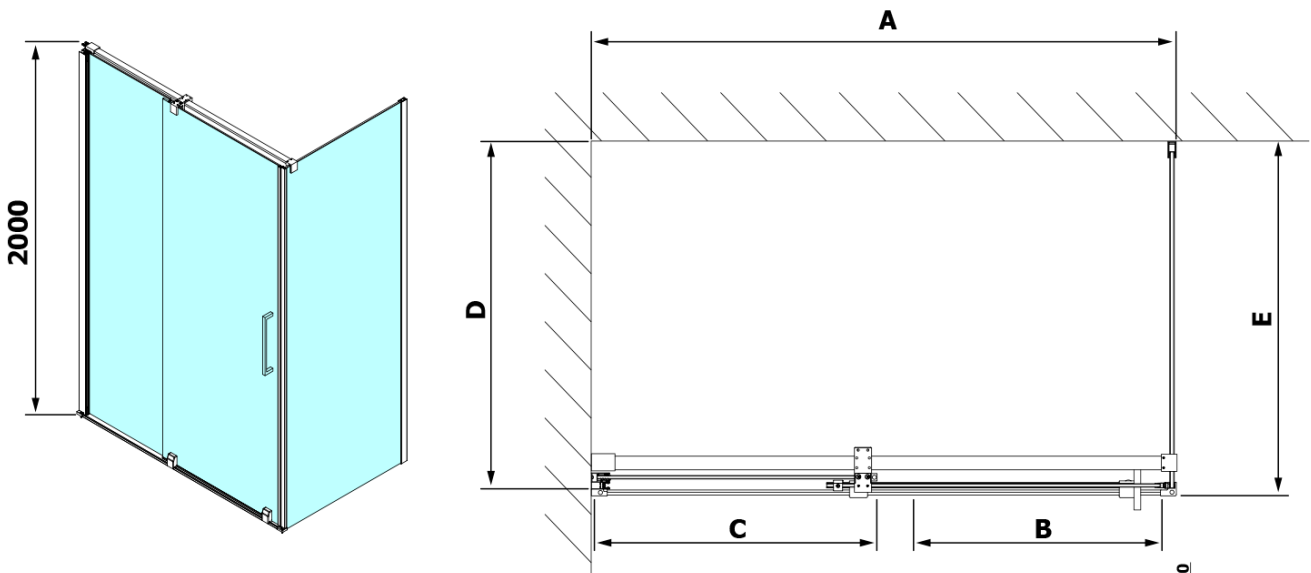


## Spare parts

Bottom seal under solid glass 8mm, 1000mm (Order code: NDRL03)  
ROLLS handle (Order code: NDRL-MADLO)  
ALTIS/ROLLS/DRAGON set of screw covers (Order code: NDAL03)  
ROLLS roller profile (Order code: NDRL04)  
Vertical seal for 8mm glass, 2000mm (Order code: NDRL02-2)  
Bottom seal for glass 8mm, 1000 mm, (Order code: NDRL01-2)  
Flat magnetic seal for glass 8mm, 2000mm (Order code: NDGV02)  
ROLLS L/P ends of the roller profile (Order code: NDRL05)  
Vertical seal for 8mm glass, 2000mm (Order code: NDRL02)

ROLLS Rectangular screen 1200x1000 mm, L/R  
variant, clear glass

Technical sheet



Model	D	E
RL3215	765-785	780-800
RL3315	865-885	880-900
RL3415	965-985	980-1000

Model	A	B	C
RL1115	1072-1102	425	~500
RL1215	1172-1202	475	~550
RL1315	1272-1302	525	~600
RL1415	1372-1402	575	~650
RL1515	1472-1502	625	~700
RL1615	1572-1602	675	~750

