

ROLLS Rectangular screen 1100x1000 mm, L/R variant, clear glass



Order code: RL1115RL3415

Basic information

Brand: Polysan

Series: ROLLS

Size

Width: 1100 mm

Height: 2000 mm

Depth: 1000 mm

Properties

Profile colour: Chrome

Shape: Rectangular shower enclosures

Type of opening: Sliding door

Opening direction: Versatile

Opening width: 425 mm

Glass colour: TRANSPARENT glass

Glass finish: Antidrop

Glass thickness: 8 mm

Properties: Frameless design

Weight / Piece: 95.0 kg

Packaging: 2 Piece

Warranty: 2 years



Spare parts

ROLLS handle (Order code: NDRL-MADLO)

Bottom seal under solid glass 8mm, 1000mm (Order code: NDRL03)

ALTIS/ROLLS/DRAGON set of screw covers (Order code: NDAL03)

ROLLS roller profile (Order code: NDRL04)

Bottom seal for glass 8mm, 1000 mm, (Order code: NDRL01-2)

Vertical seal for 8mm glass, 2000mm (Order code: NDRL02-2)

Flat magnetic seal for glass 8mm, 2000mm (Order code: NDGV02)

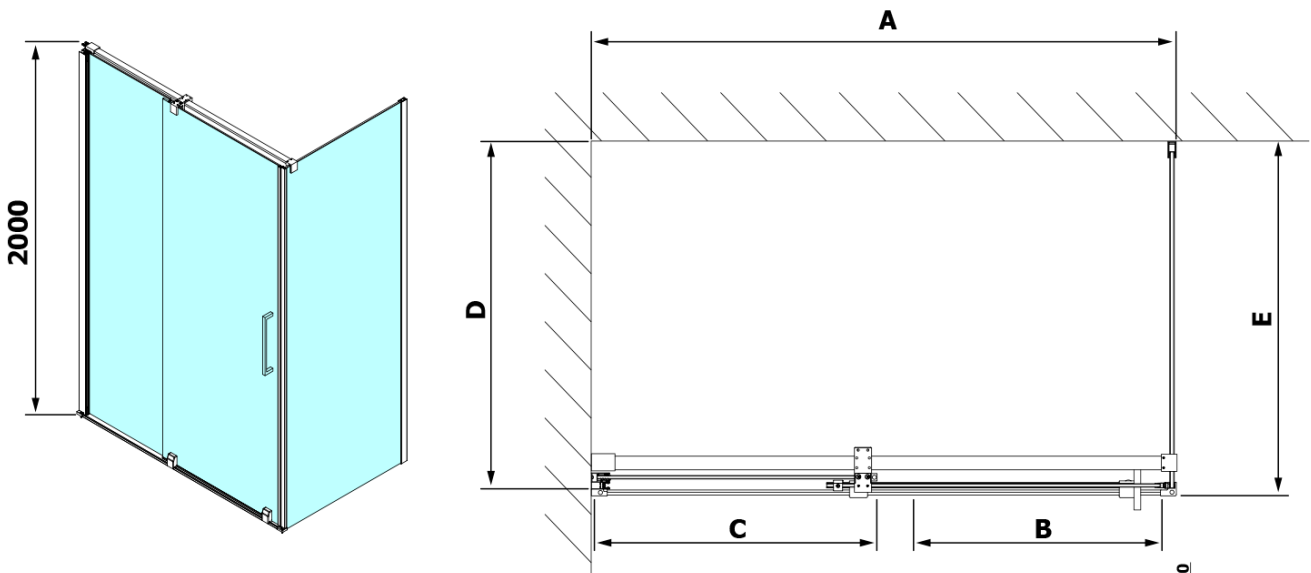
Vertical seal for 8mm glass, 2000mm (Order code: NDRL02)

ROLLS L/P ends of the roller profile (Order code: NDRL05)

ROLLS Rectangular screen 1100x1000 mm, L/R
variant, clear glass



Technical sheet



Model	D	E
RL3215	765-785	780-800
RL3315	865-885	880-900
RL3415	965-985	980-1000

Model	A	B	C
RL1115	1072-1102	425	~500
RL1215	1172-1202	475	~550
RL1315	1272-1302	525	~600
RL1415	1372-1402	575	~650
RL1515	1472-1502	625	~700
RL1615	1572-1602	675	~750

