

MODULAR SHOWER Wall Glass Panel, 1 Piece, 1000 mm with holes for towel holder



Order code: MS1-100-D

Basic information

Brand: Polysan
Series: MODULAR SHOWER

Size

Height: 2000 mm
Depth: 1000 mm

Properties

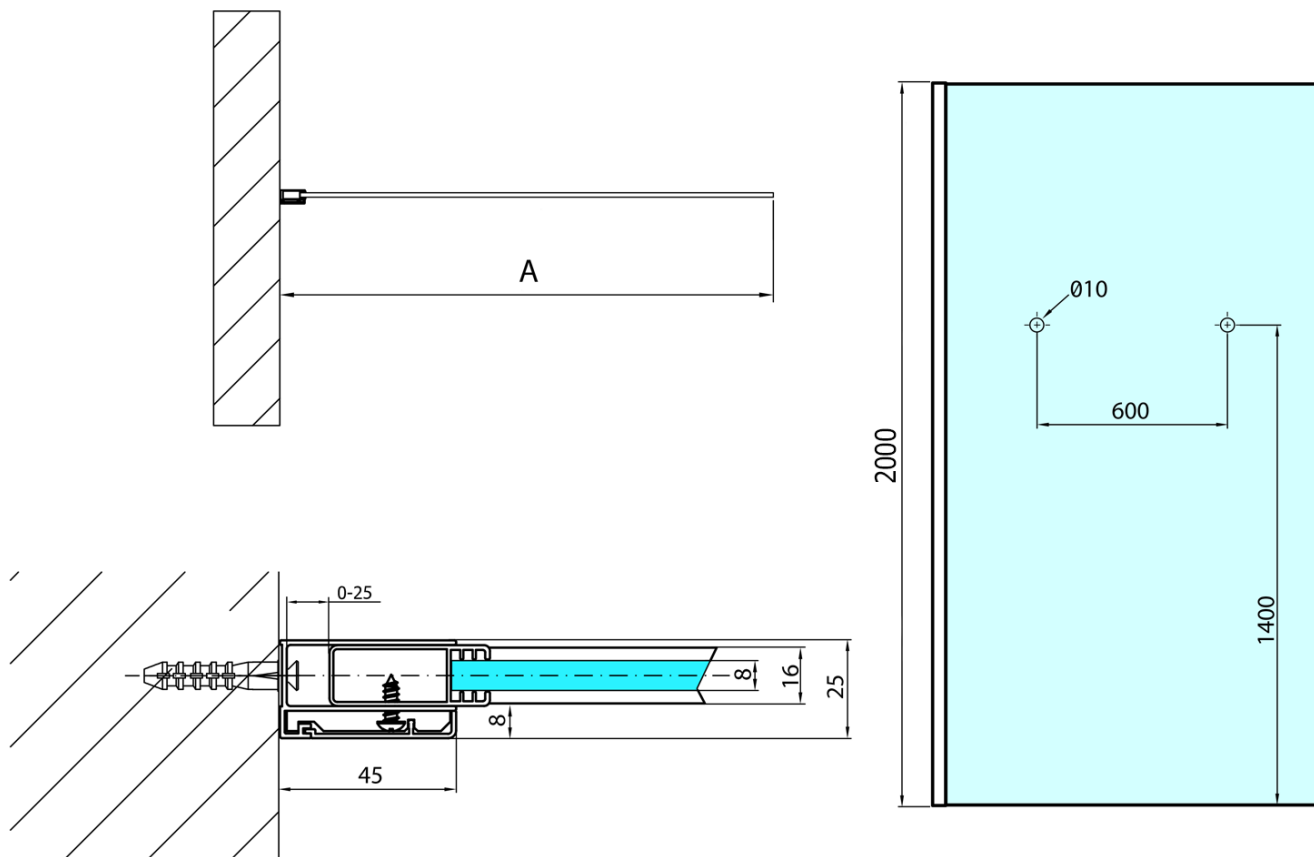
Profile colour: Chrome - polished aluminum
Shape: Single-wall fixed screen
Glass colour: TRANSPARENT glass
Glass finish: Antidrop
Glass thickness: 8 mm
Weight / Piece: 46.0 kg
Packaging: 1 Piece
Warranty: 2 years



MODULAR SHOWER Wall Glass Panel, 1 Piece, 1000 mm with holes for towel holder



Technical sheet



ARTICLE	A
MS1-90D	876-901
MS1-100D	976-1001