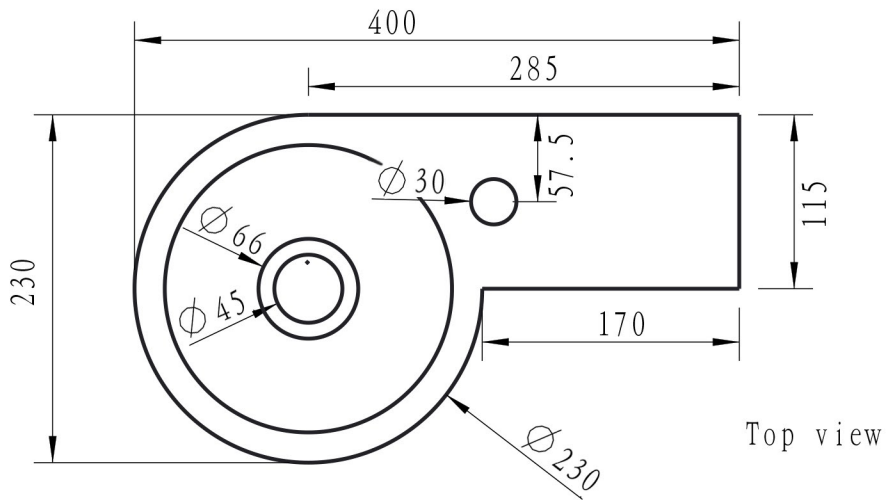
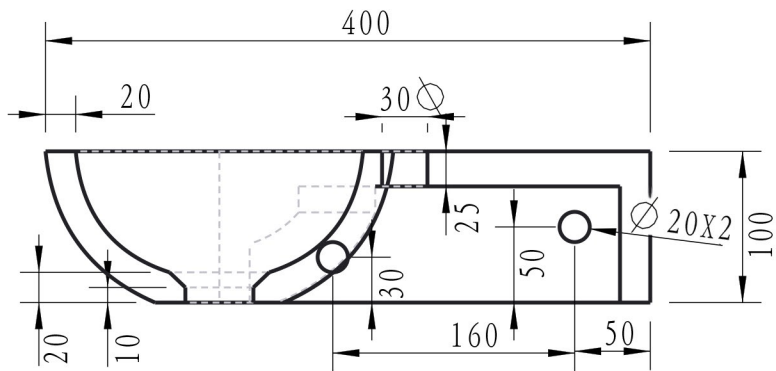


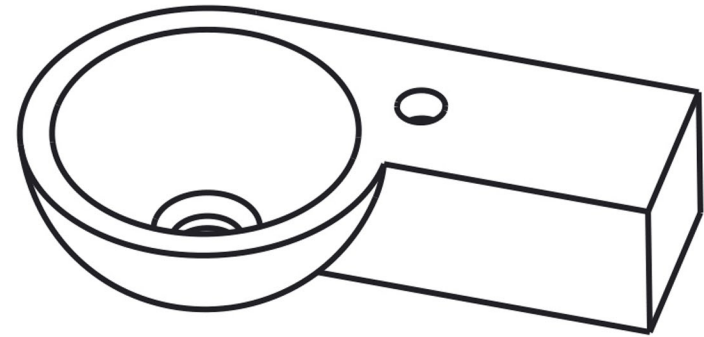
Bottom view



Top view



Front view



2401-32