

BELLO PC103

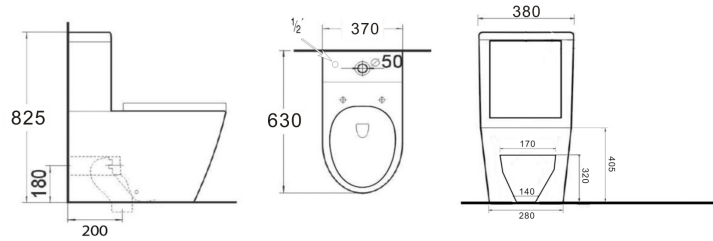
WC pan S-trap/P-trap, cistern with flush mechanism



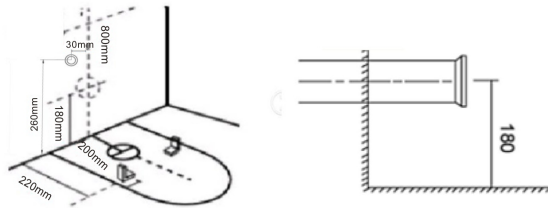
Installation manual

- Before you begin, carefully inspect the new toilet for visible damage or manufacturing faults.
- Read the installation manual before you proceed to installation.

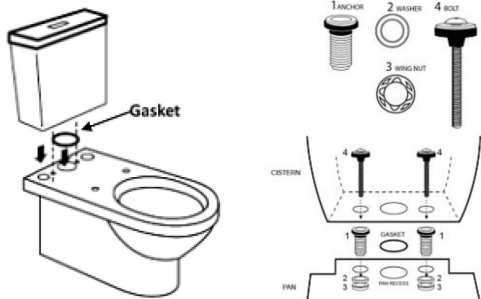
Technical drawing



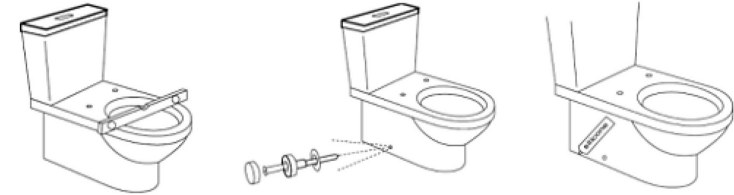
25 mm, 1/2"



- Assemble the cistern to the pan



Possibility of changing to S-trap by adding WC flexible connection (not included)



Important:

- Do not use abrasive cleaners/materials .

Warranty conditions:

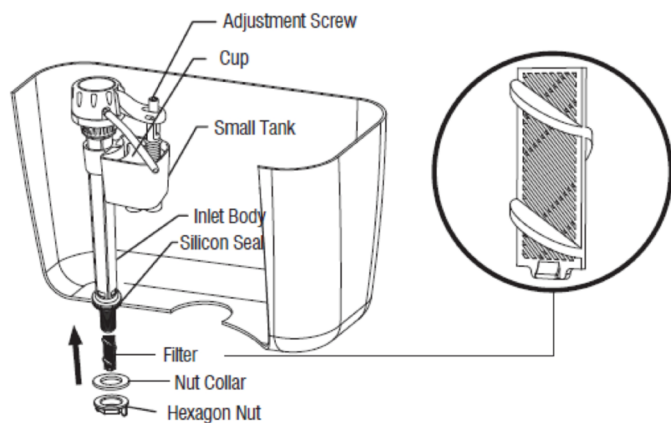
Warranty does not cover:

- Defects caused by the installation contrary to content of the manual.
- Damage caused as a result of modifications and design changes made by the user or any third party.
- Mechanical damages.
- Valve malfunction due to pollution caused by chemical agents dispensed into tank.

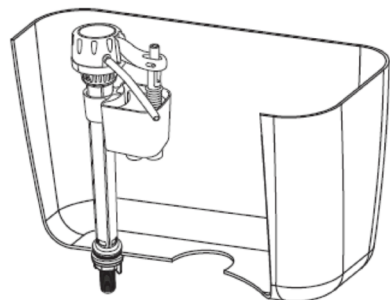
PORTO PC102/BELLO PC103/TALIN PB101

WC pan S-trap/P-trap, cistern with flush mechanism

Installation of fill valve

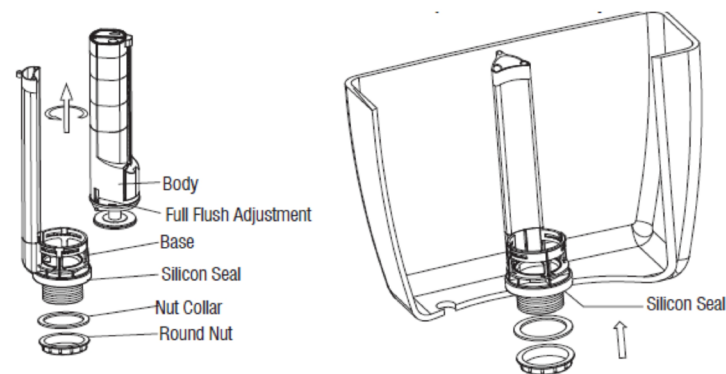


1. Unscrew Hexagon nut and Nut collar from the Fill valve, insert Fill valve with Silicon seal into the inlet hole of Water tank and make sure Fill valve is in the right position, then screw Nut collar and Hexagon nut in turn to Fill valve tightly. Then connect Refilling tube with the Overflow pipe of Flush valve.

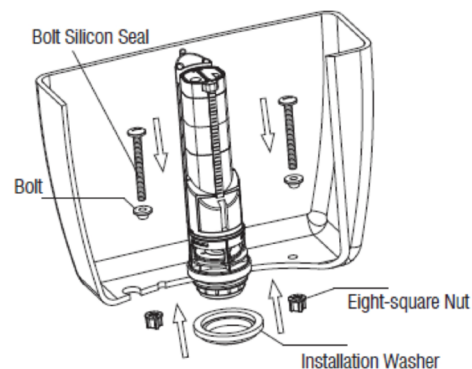


2. After connecting Water supply pipe, adjust the fill volume by rotating Rod clockwise or anticlockwise to make Small tank move up or down.

Installation of Flush Valve



1. Rotate the Body of Flush Valve anticlockwise and take it out from Base. Unscrew Round nut and Nut collar in turn from Flush valve.
2. Incline Flush valve properly then insert it in the outlet hole of Water tank and make sure Flush valve is in the right position. Then screw Nut collar and Round nut in turn to Flush valve tightly. Check whether Silicon seal is tightly stuck on the bottom of Water tank and the Base of fill valve is vertical.



3. Take the Body of Flush valve back to Base and rotate it clockwise. Knot Installation washer to Round nut and put Tank on the right place of Bowl. Then insert Tank to Bowl bolt with Bolt silicon seal in the bolt hole (as picture) and screw Eight-square Nut to Tank to Bowl Bolt tightly. Adjust the partial flush volume by moving Partial flush cup up or down.