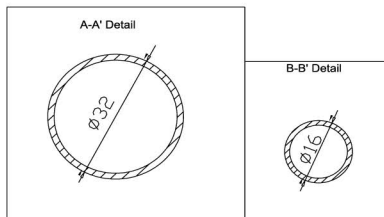
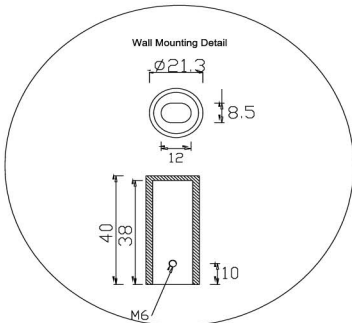
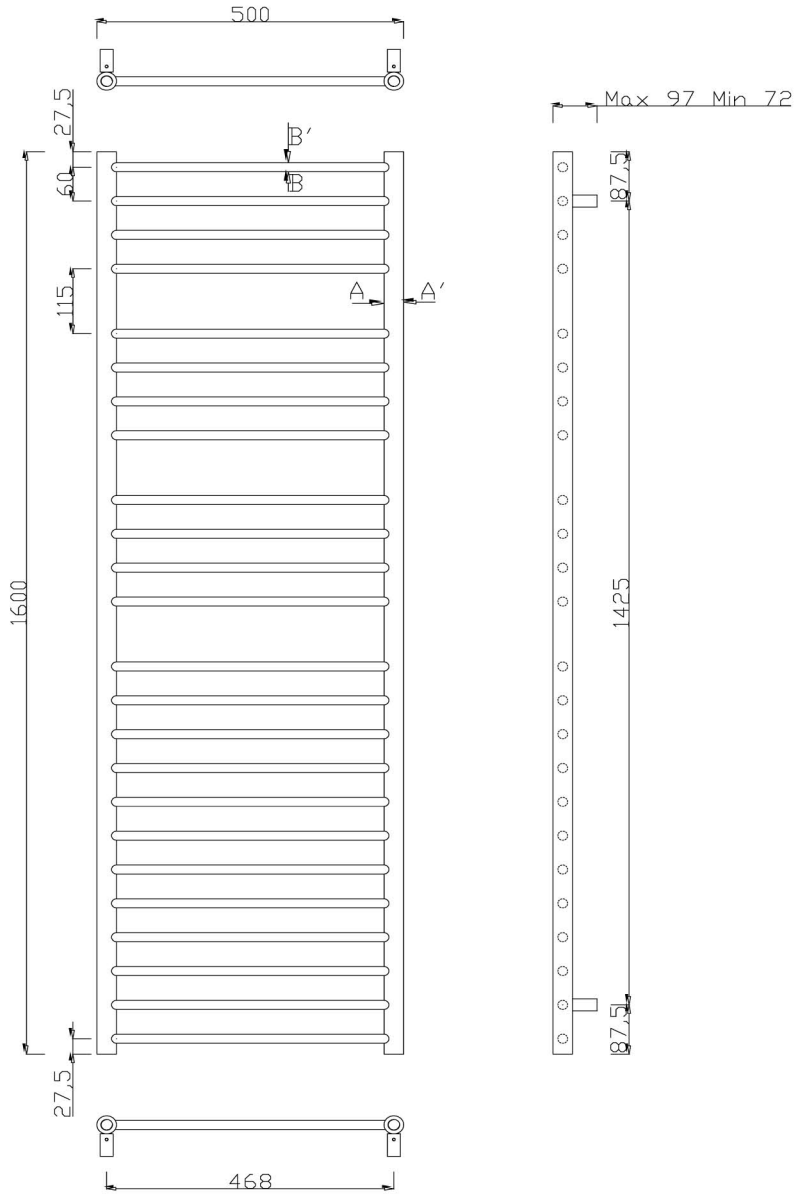


# 24 Tubes



**NR126**