

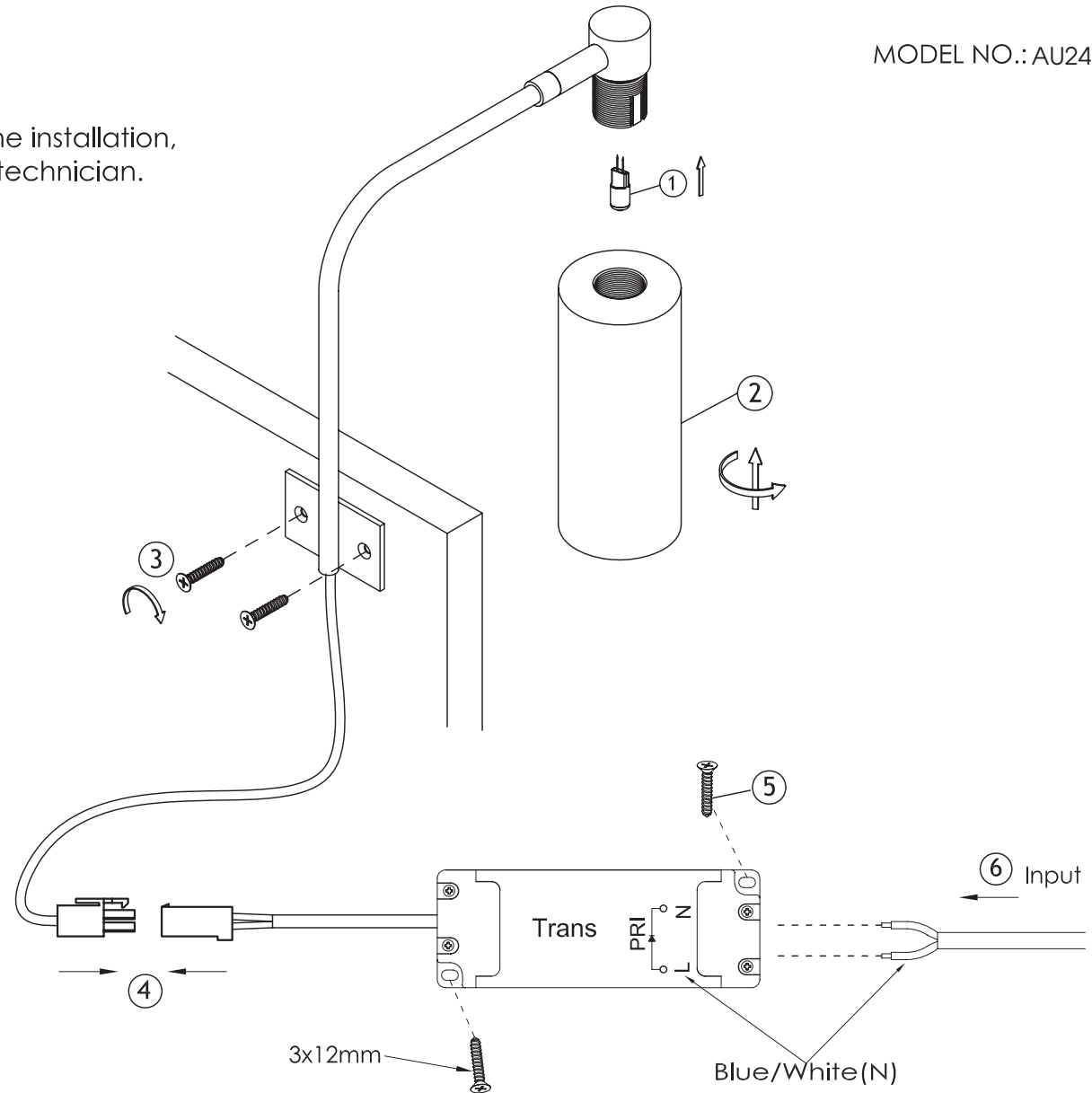
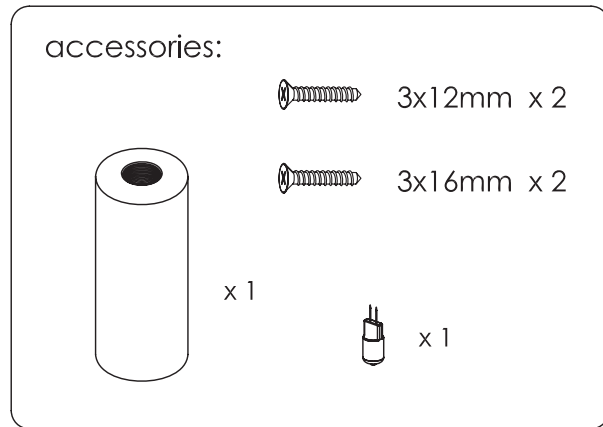


Installation Instruction

MODEL NO.: AU245

Notice: Please read all of the operating instructions before using the product for the first time

If you do not have the expertise required for the installation, do not install it by yourself but ask a qualified technician.



Replacing the bulbs/glass shades



Wait until the faulty bulb and the light have cooled down sufficiently.

- NLY use these lights with a 12V~ transformer.
- Remove the faulty bulb from the socket. Do not bend the bulb/glass shades. it could break or burst.
- Insert a new light bulb with G4 socket (max. 20W) into the light socket.
- Connect the light to the mains supply again and check that the new bulb is functioning.