

ESCA CHROME Dusch-Glasteil, Wandmontage, graues matt Glas, 1300 mm

Bestellcode: ES1413-01

Größe

Höhe: 2100 mm

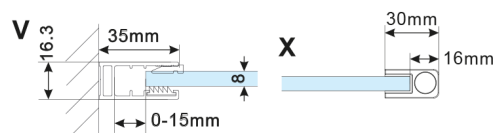
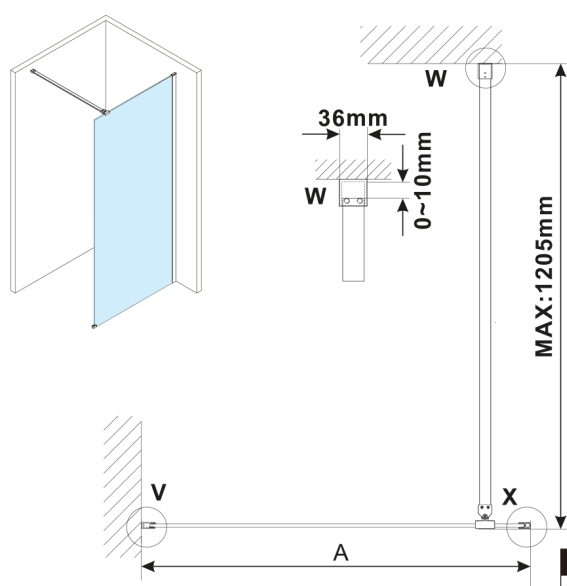
Tiefe: 1300 mm

Eigenschaften

Garantie: 2 Jahre



Technisches Arbeitsblatt



| MODEL | A,mm |
|-------------------------------------------|-----------|
| ES1070,ES1170,ES1270,ES1370,ES1470,ES1570 | 690-705 |
| ES1080,ES1180,ES1280,ES1380,ES1480,ES1580 | 790-805 |
| ES1090,ES1190,ES1290,ES1390,ES1490,ES1590 | 890-905 |
| ES1010,ES1110,ES1210,ES1310,ES1410,ES1510 | 990-1005 |
| ES1011,ES1111,ES1211,ES1311,ES1411,ES1511 | 1090-1105 |
| ES1012,ES1112,ES1212,ES1312,ES1412,ES1512 | 1190-1205 |
| ES1013,ES1113,ES1213,ES1313,ES1413,ES1513 | 1290-1305 |
| ES1014,ES1114,ES1214,ES1314,ES1414,ES1514 | 1390-1405 |
| ES1015,ES1115,ES1215,ES1315,ES1415,ES1515 | 1490-1505 |