

ESCA Klarglas 1467x2100mm

Bestellcode: ES1015

Größe

Breite: 1467 mm

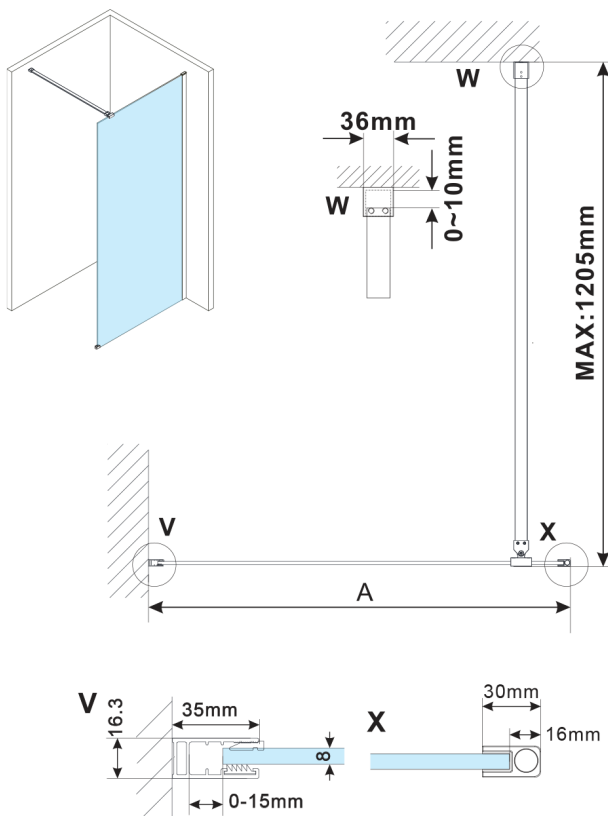
Höhe: 2100 mm

Eigenschaften

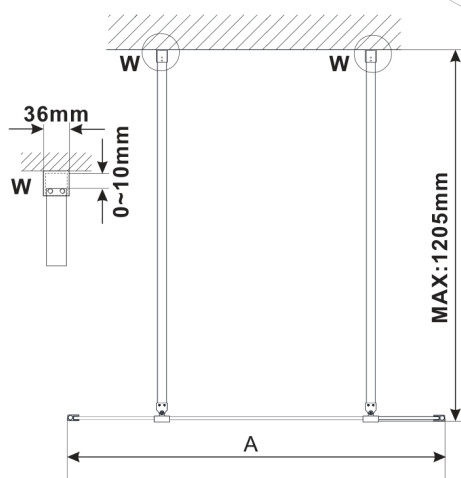
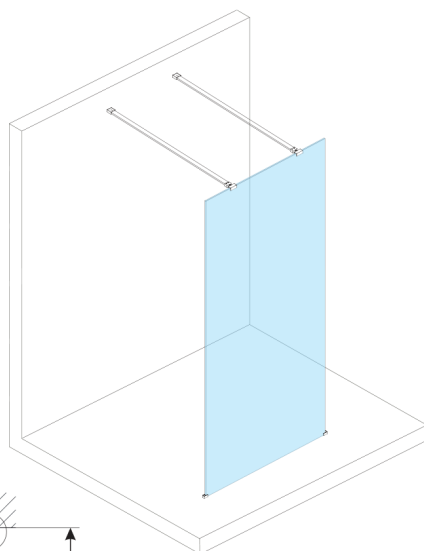
Garantie: 3 Jahre



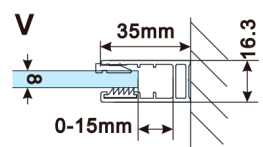
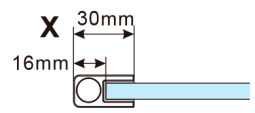
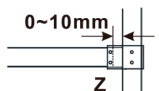
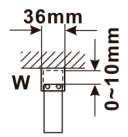
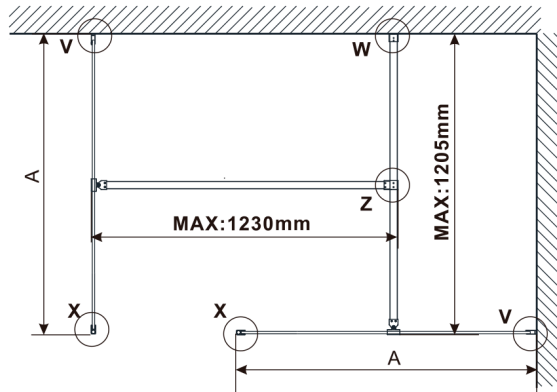
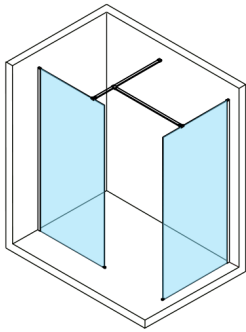
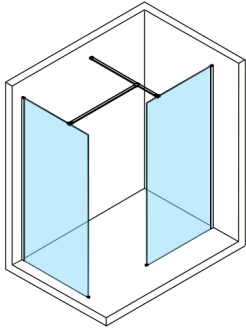
Technisches Arbeitsblatt



MODEL	A,mm
ES1070, ES1170, ES1270, ES1370, ES1570	690~705
ES1080, ES1180, ES1280, ES1380, ES1580	790~805
ES1090, ES1190, ES1290, ES1390, ES1590	890~905
ES1010, ES1110, ES1210, ES1310, ES1510	990~1005
ES1011, ES1111, ES1211, ES1311, ES1511	1090~1105
ES1012, ES1112, ES1212, ES1312, ES1512	1190~1205
ES1013, ES1113, ES1213, ES1313, ES1513	1290~1305
ES1014, ES1114, ES1214, ES1314, ES1514	1390~1405
ES1015, ES1115, ES1215, ES1315, ES1515	1490~1505



MODEL	A,mm
ES1070/ES1170/ES1270/ES1370/ES1570	699
ES1080/ES1180/ES1280/ES1380/ES1580	799
ES1090/ES1190/ES1290/ES1390/ES1590	899
ES1010/ES1110/ES1210/ES1310/ES1510	999
ES1011/ES1111/ES1211/ES1311/ES1511	1099
ES1012/ES1112/ES1212/ES1312/ES1512	1199
ES1013/ES1113/ES1213/ES1313/ES1513	1299
ES1014/ES1114/ES1214/ES1314/ES1514	1399
ES1015/ES1115/ES1215/ES1315/ES1515	1499



MODEL	A,mm
ES1070, ES1170, ES1270, ES1370, ES1570	690-705
ES1080, ES1180, ES1280, ES1380, ES1580	790-805
ES1090, ES1190, ES1290, ES1390, ES1590	890-905
ES1010, ES1110, ES1210, ES1310, ES1510	990-1005
ES1011, ES1111, ES1211, ES1311, ES1511	1090-1105
ES1012, ES1112, ES1212, ES1312, ES1512	1190-1205
ES1013, ES1113, ES1213, ES1313, ES1513	1290-1305
ES1014, ES1114, ES1214, ES1314, ES1514	1390-1405
ES1015, ES1115, ES1215, ES1315, ES1515	1490-1505