

THRON SQUARE Rechteckige Duschkabine 1200x900 mm, quadratische Rollen

Bestellcode: TL1290-5002

Größe

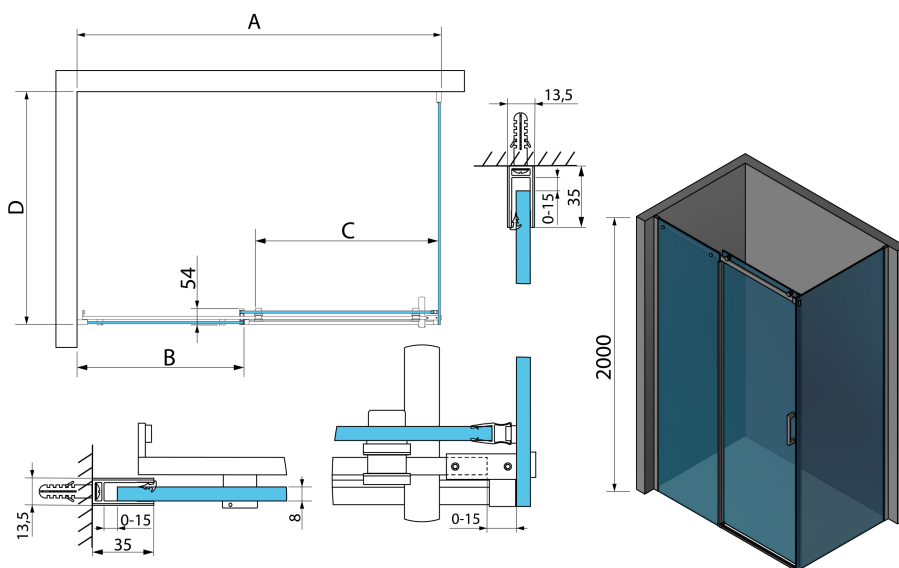
Breite: 1200 mm
 Höhe: 2000 mm
 Tiefe: 900 mm

Eigenschaften

Garantie: 2 Jahre



Technisches Arbeitsblatt



MODEL	A	B	C	D
TL1070-500x	990-1020	458mm	396mm	680-695
TL1080-500x	990-1020	458mm	396mm	780-795
TL1090-500x	990-1020	458mm	396mm	880-895
TL1010-500x	990-1020	458mm	396mm	980-995
TL1170-500x	1090-1110	508mm	446mm	680-695
TL1180-500x	1090-1110	508mm	446mm	780-795
TL1190-500x	1090-1110	508mm	446mm	880-895
TL1110-500x	1090-1110	508mm	446mm	980-995
TL1270-500x	1190-1210	558mm	496mm	680-695
TL1280-500x	1190-1210	558mm	496mm	780-795
TL1290-500x	1190-1210	558mm	496mm	880-895
TL1210-500x	1190-1210	558mm	496mm	980-995
TL1370-500x	1290-1310	608mm	546mm	680-695
TL1380-500x	1290-1310	608mm	546mm	780-795

MODEL	A	B	C	D
TL1390-500x	1290-1310	608mm	546mm	880-895
TL1310-500x	1290-1310	608mm	546mm	980-995
TL1470-500x	1390-1410	658mm	596mm	680-695
TL1480-500x	1390-1410	658mm	596mm	780-795
TL1490-500x	1390-1410	658mm	596mm	880-895
TL1410-500x	1390-1410	658mm	596mm	980-995
TL1570-500x	1490-1510	708mm	646mm	680-695
TL1580-500x	1490-1510	708mm	646mm	780-795
TL1590-500x	1490-1510	708mm	646mm	880-895
TL1510-500x	1490-1510	708mm	646mm	980-995
TL1670-500x	1590-1610	808mm	646mm	680-695
TL1680-500x	1590-1610	808mm	646mm	780-795
TL1690-500x	1590-1610	808mm	646mm	880-895
TL1610-500x	1590-1610	808mm	646mm	980-995